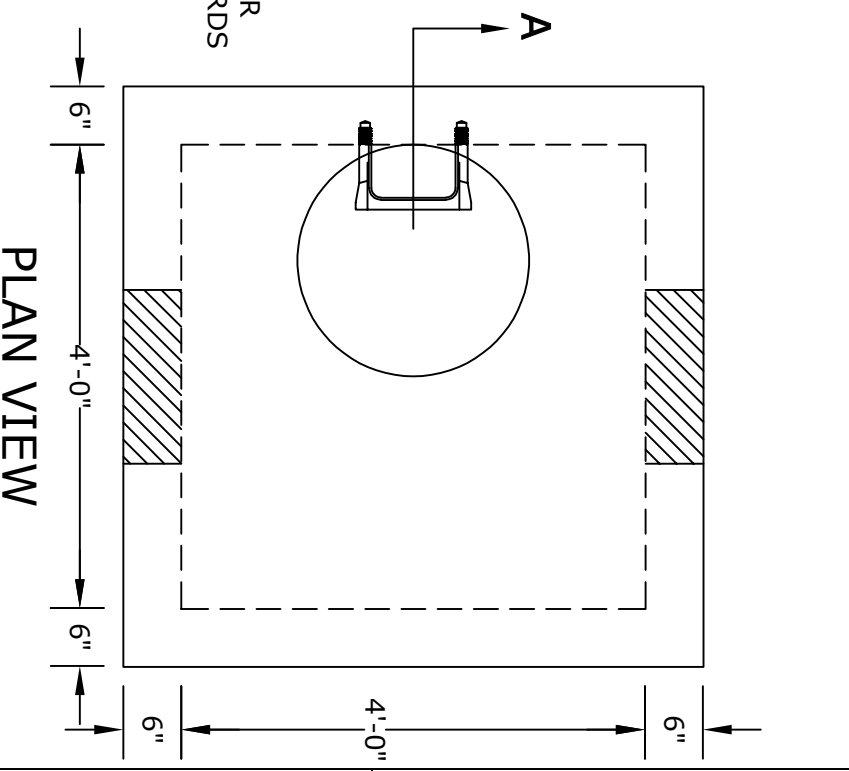
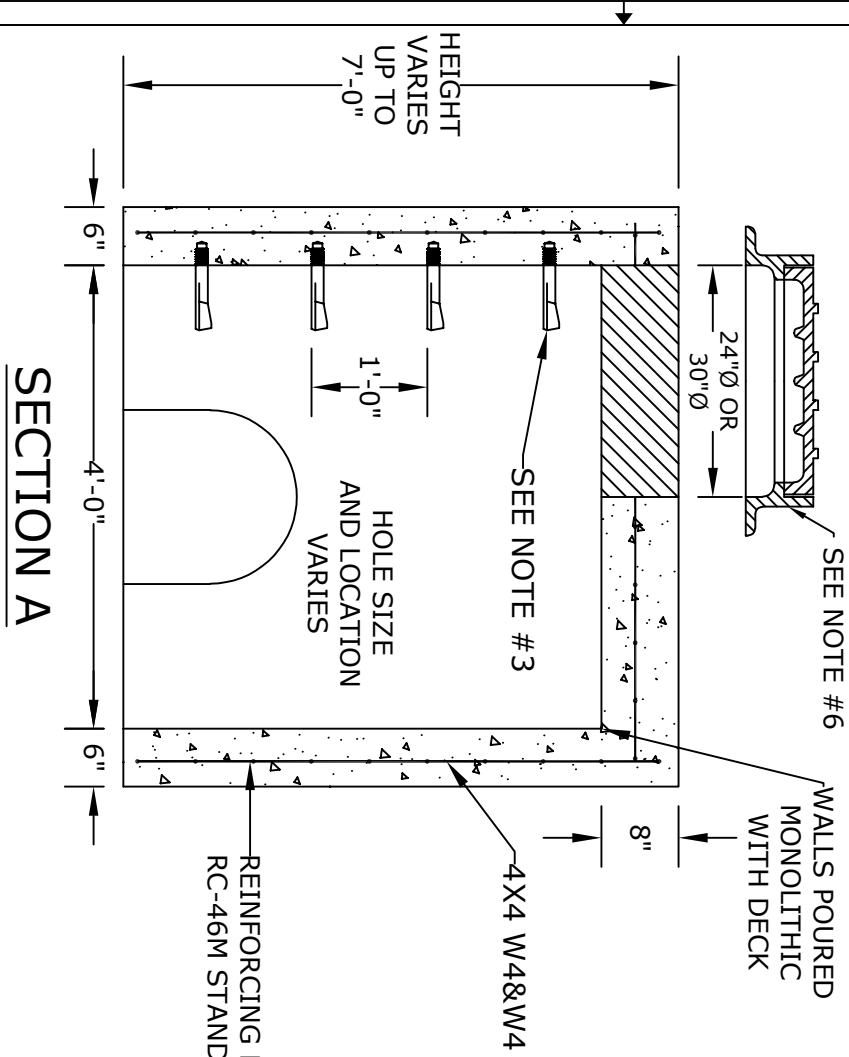


NOTES

1. CONCRETE - 4000 psi, AIR ENTRAINED
2. REINFORCING STEEL - GRADE 60, ASTM A-615 - REINFORCING BASED ON PENNDOT RC-46M
3. WELDED WIRE FABRIC - ASTM-A185
4. LADDER RUNGS - COPOLYMER POLYPROPYLENE PLASTIC w/1/2" REBAR, GRADE 60 WHEN NEEDED
5. MATERIAL AND CONSTRUCTION SHALL COMPLY WITH PENNDOT PUB. 408, 72, & RC46M
6. FRAME/COVER - SEE ACCOMPANYING SPEC. SHEETS
7. LOCATIONS OF PIPE OPENINGS AS REQUIRED
8. ALL MATERIAL USED MADE IN THE USA



ALTOMARE PRECAST, INC.
 4300 Wissahickon Ave.
 Philadelphia, PA 19129
 Ph: 215-225-8800 Fax: 215-225-8900

TITLE:
 4x4 Doghouse
 w/ 6" Walls

PROJECT:

CONTR:

DATE: