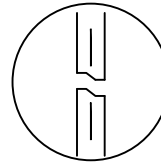


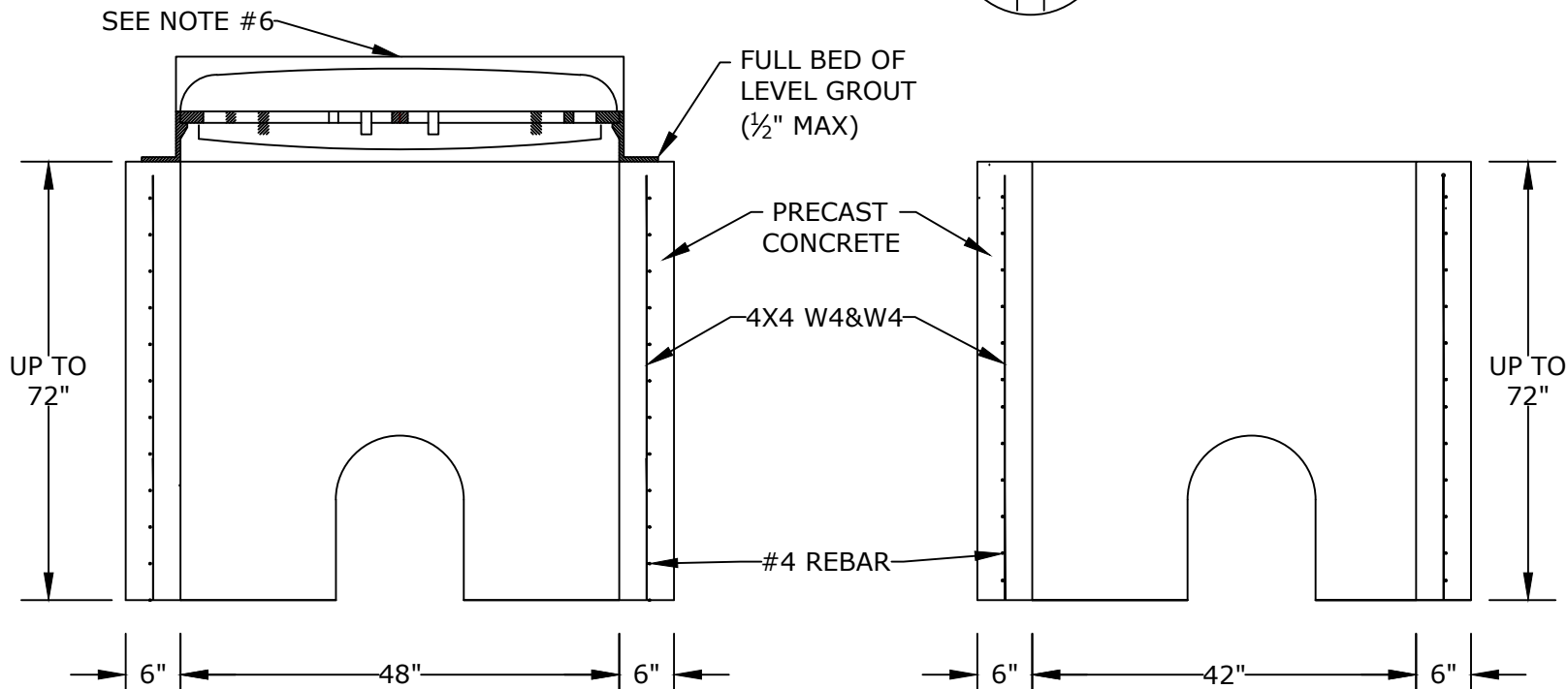
PLAN VIEW

NOTES

1. CONCRETE- 4000psi, AIR ENTRAINED
2. REINFORCING
STEEL- GRADE 60, ASTM A-615
WWF 4X4 W4&W4- ASTM A-185
3. LADDER RUNGS- COPOLYMER POLYPROPYLENE
PLASTIC w/1/2" REBAR, GRADE 60
4. H-20 LOADING
5. LOCATIONS OF PIPE OPENINGS AS REQUIRED
6. FRAME AND GRATE-
SEE ACCOMPANYING SPEC. SHEET
7. ALL MATERIAL USED MADE IN THE USA



**JOINT DETAIL
(WHEN NEEDED)**



SECTION A

SECTION B

PROJECT:	CONTR:	DATE:
----------	--------	-------

**TITLE: New Jersey
Type B Inlet Dog
House**

ALTOHARE PRECAST, INC.
4300 Wissahickon Ave.
Philadelphia, PA 19129
Ph: 215-225-8800 Fax: 215-225-8900