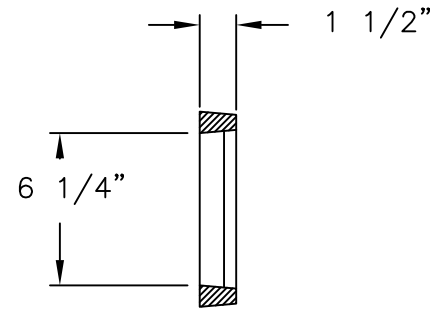
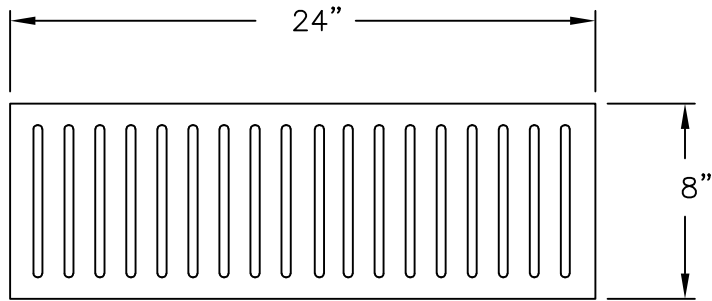


# V7381 Trench Grate



GRATE SECTION

**Product Number**

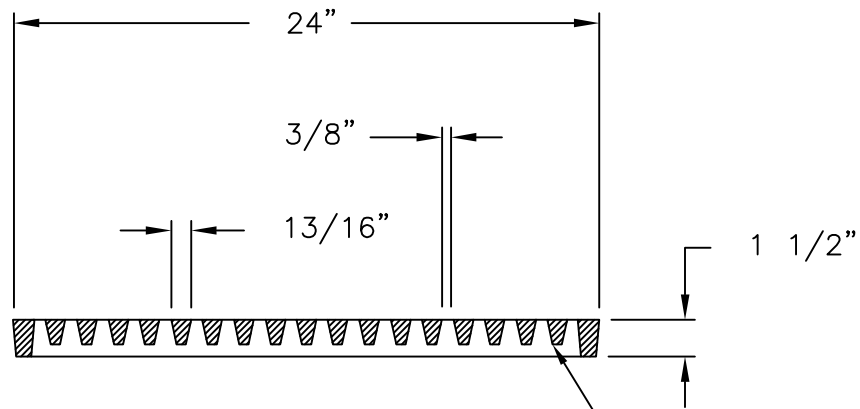
47381030

**Design Features**

- Materials  
Gray Iron (CL35B)
- Load Rating  
Heavy Duty
- Open Area  
42 SQ. INCHES
- Coating  
Undipped
- √ Designates Machined Surface

**Certification**

- ASTM A48
- ADA
- 
- Country of Origin: USA



GRATE SECTION

EJ  
ASTM A48 CL35B  
SERIES  
PROD.NO.

**Drawing Revision**

12/14/2007 Designer: SBB  
7/6/2017 Revised By: MAH

**Disclaimer**

Weights (lbs./kg) dimensions (inches/mm) and drawings provided for your guidance. We reserve the right to modify specifications without prior notice.

CONFIDENTIAL: This drawing is the property of EJ GROUP, Inc., and embodies confidential information, registered marks, patents, trade secret information, and/or know how that is the property of EJ GROUP, Inc. Copyright © 2011 EJ GROUP, Inc. All rights reserved.

**Contact**

800 626 4653  
ejco.com