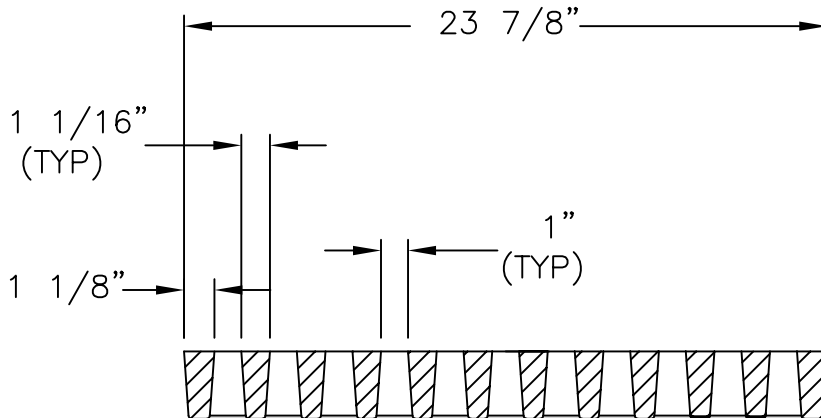


**GRATE SECTION**



**GRATE SECTION**

**EJIW EAST JORDAN**  
IRON WORKS EST.1883

800-626-4653  
www.ejiw.com  
MADE IN USA

PRODUCT NUMBER

**00695641**

CATALOG NUMBER

**6956M2**

**TRENCH  
GRATE**

LOAD RATING

**HEAVY DUTY**

COATING

**UNDIPPED**

MATERIAL SPECIFICATION

GRATE - GRAY IRON  
ASTM A48 CL35B

OPEN AREA  
177 SQ IN

√ DESIGNATES MACHINED  
SURFACE

DRAWN  
SBB

DATE  
04/18/03

LAST REVISED  
GAD

DATE  
02/06/09

REFERENCE INFORMATION