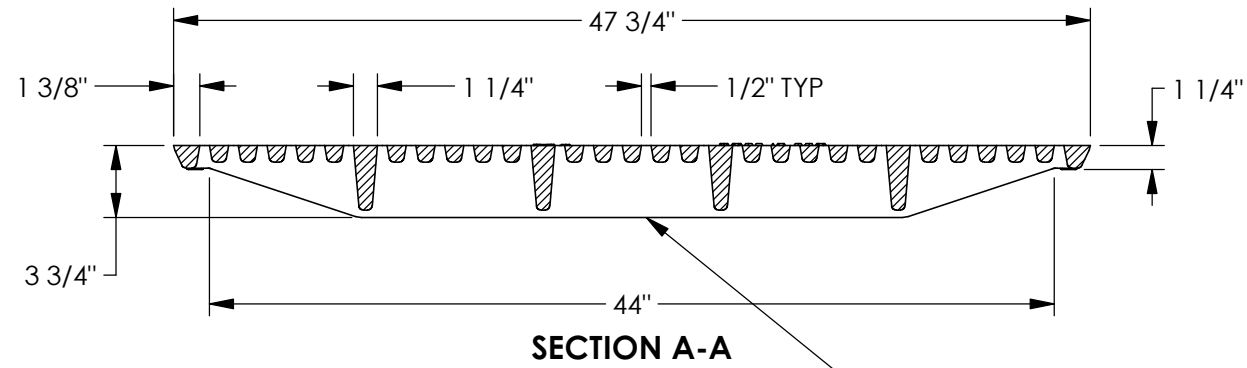
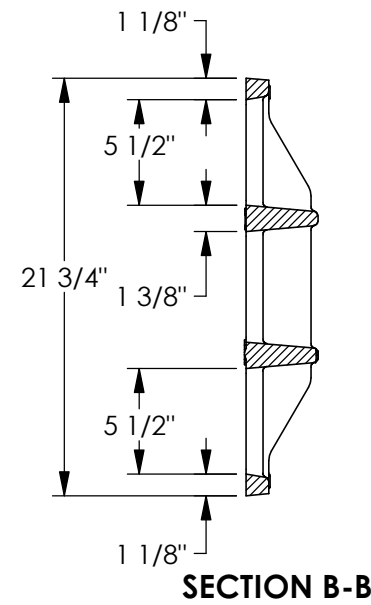
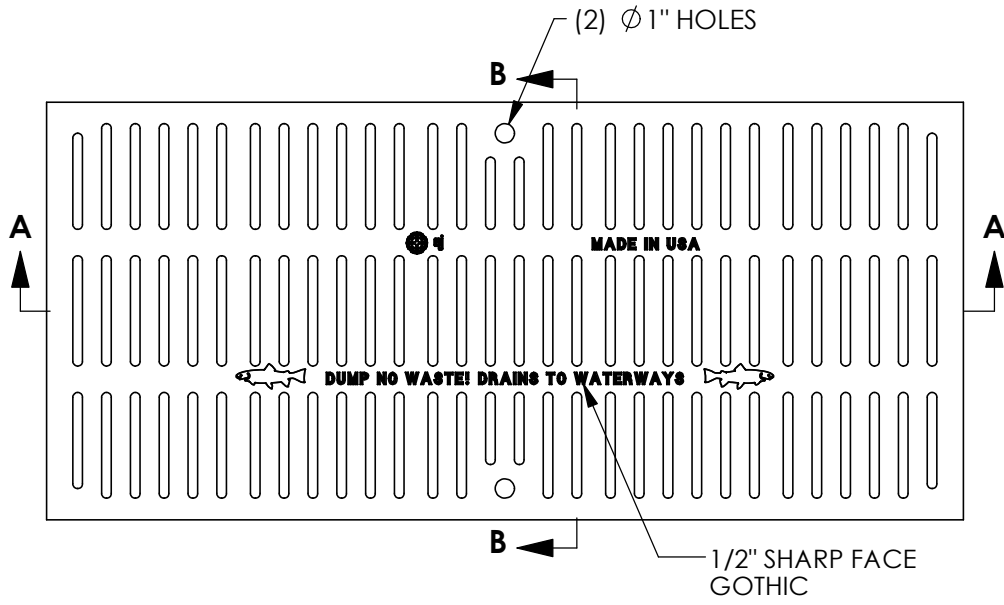


# 7590M2 Grate



7590M2 DI  
 ASTM A536  
 PROD NO.  
 MO/DY/YR X

**Product Number**  
 00759037

- Design Features**
- Materials  
 Ductile Iron (70-50-05)
  - Load Rating  
 Heavy Duty H25
  - Open Area  
 244 Sq. Inches
  - Coating  
 Undipped
  - √ Designates Machined Surface

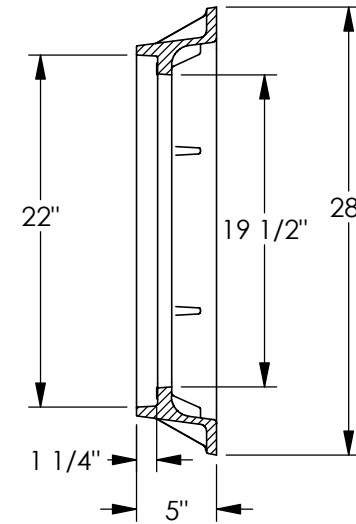
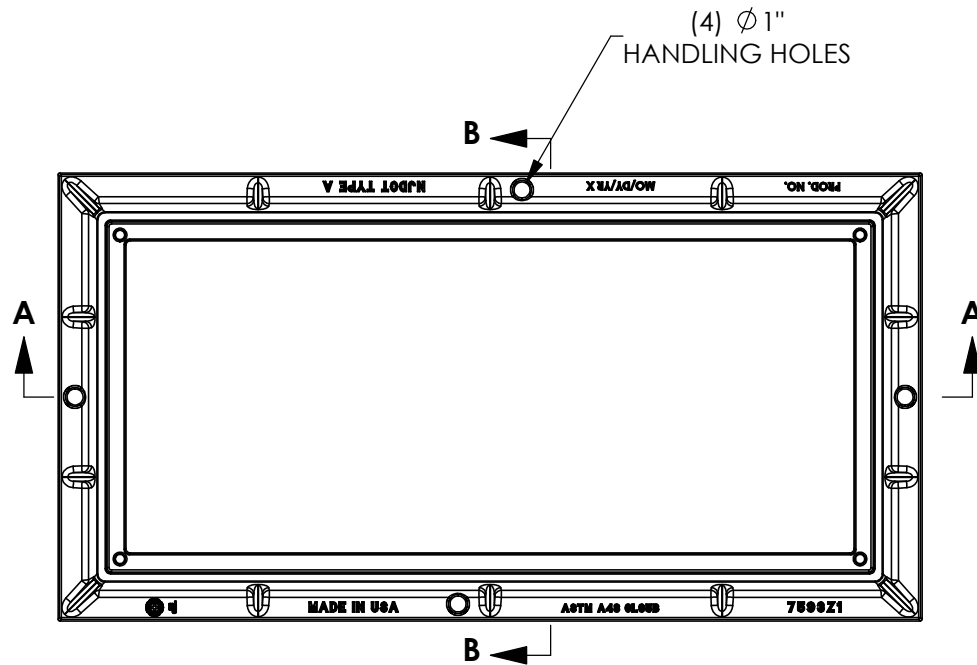
- Certification**
- ASTM A536
  - 
  - 
  - Country of Origin: USA

**Drawing Revision**  
 08/21/2006 Designer: JIJ  
 10/17/2019 Revised By: DEF

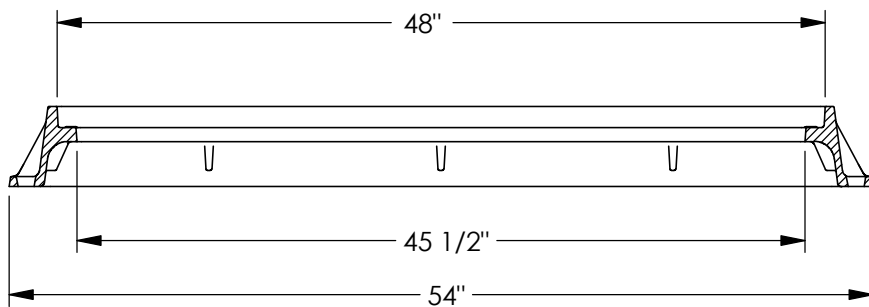
**Disclaimer**  
 Weights (lbs/kg), dimensions (inches/mm) and drawings provided for your guidance. We reserve the right to modify specifications without prior notice.  
 CONFIDENTIAL: This drawing is the property of EJ Group, Inc. and embodies confidential information, registered marks, patents, trade secret information, and/or know how that is the property of EJ Group, Inc. Copyright © 2019 EJ Group, Inc. All rights reserved.

**Contact**  
 800 626 4653  
 ejco.com

# 7593Z1 Frame



**SECTION B-B**



**SECTION A-A**

**Product Number**

00759313

**Design Features**

- Materials  
Gray Iron (CL35B)
- Design Load  
Heavy Duty
- Open Area  
n/a
- Coating  
Undipped
- √ Designates Machined Surface

**Certification**

- ASTM A48
- 
- Country of Origin: USA

**Drawing Revision**

02/01/2012 Designer: DEF  
03/07/2013 Revised By: DJH

**Disclaimer**

Weights (lbs/kg), dimensions (inches/mm) and drawings provided for your guidance. We reserve the right to modify specifications without prior notice.

CONFIDENTIAL: This drawing is the property of EJ Group, Inc. and embodies confidential information, registered marks, patents, trade secret information, and/or know how that is the property of EJ Group, Inc. Copyright © 2012 EJ Group, Inc. All rights reserved.

**Contact**

800 626 4653  
ejco.com