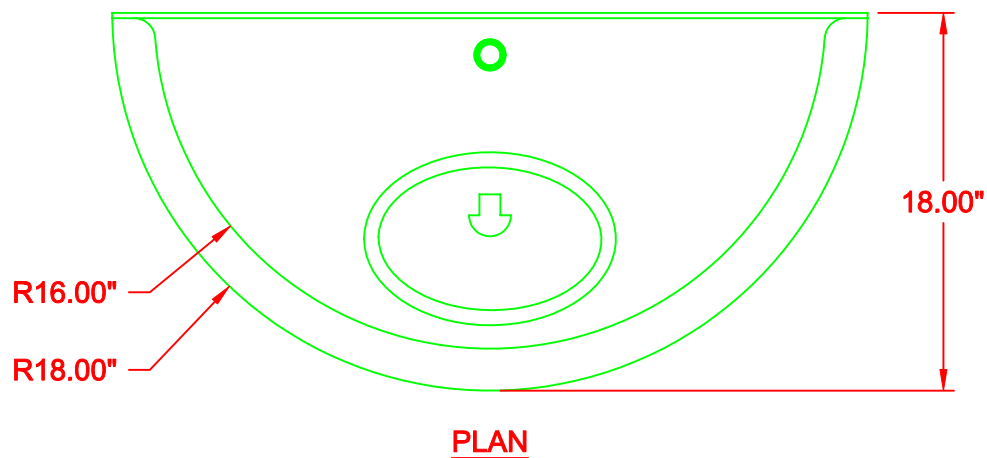
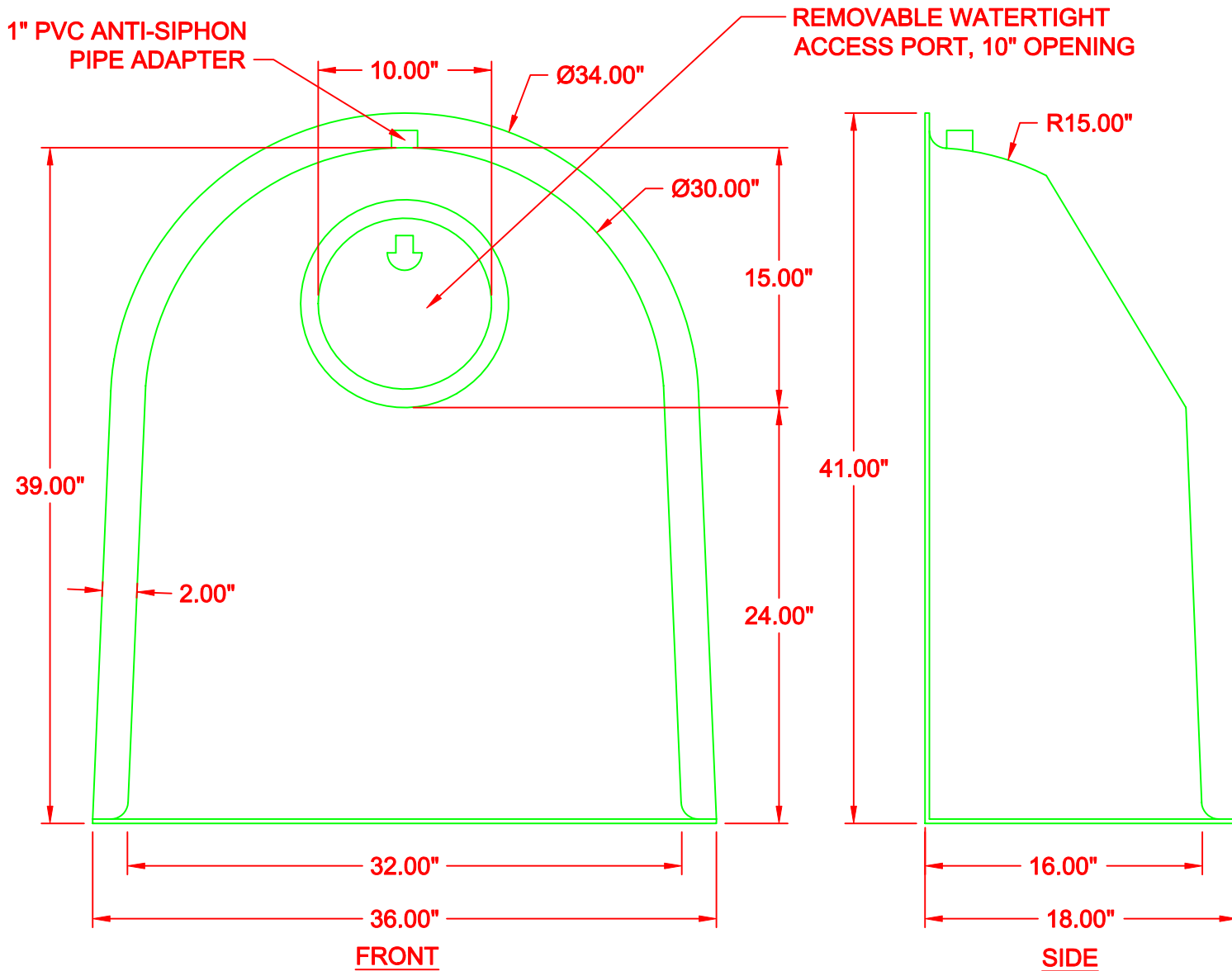


For Outlet Control Structures



U.S.PATENT #6126817 ADDITIONAL PATENTS PENDING

**BMP, INC.**

53 MT. ARCHER ROAD, LYME, CT. 06371  
(800) 504-8008 FAX: (860)434-3195

DESCRIPTION	DATE	SCALE
30F SNOOT OIL & DEBRIS STOP	09/15/99	NONE
	DRAWING NUMBER <b>30F</b>	