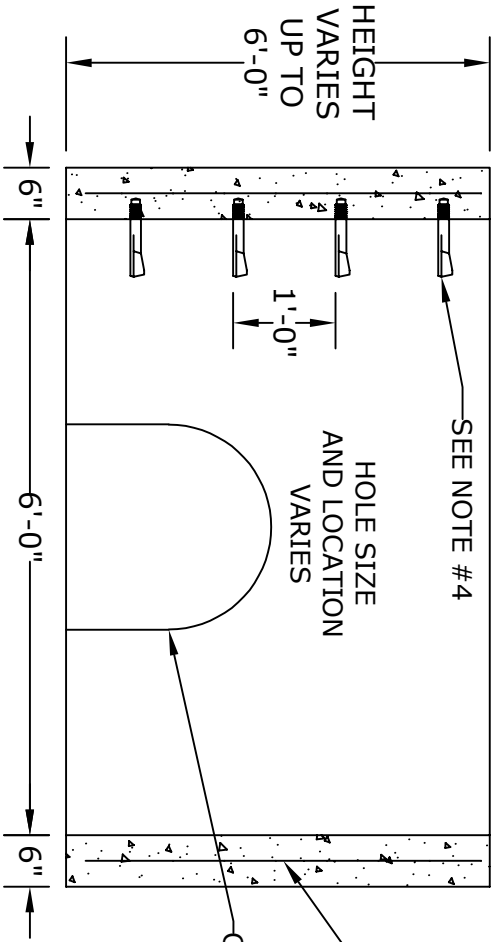
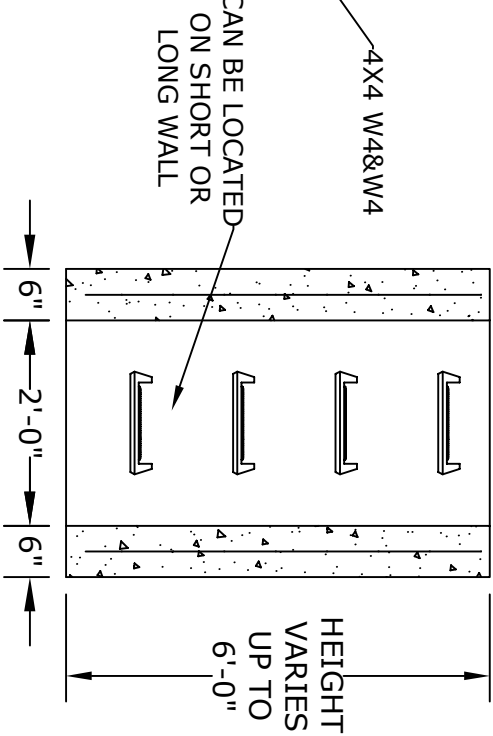


PLAN VIEW

SECTION A



SECTION B



NOTES

1. CONCRETE - 4000 psi, AIR ENTRAINED
2. WELDED WIRE FABRIC - 4X4 W48xW4, ASTM-A185
3. CONFORMS TO PENNDOT PUBLICATION 408, 72, RC46M
4. LADDER RUNGS (WHEN HEIGHT EXCEEDS 5FT) - COPOLYMER POLYPROPYLENE PLASTIC w/1/2" REBAR, GRADE 60
5. LOCATIONS OF PIPE OPENINGS AS REQUIRED
6. FRAME AND COVER - SEE ACCOMPANYING SPEC. SHEET
7. ALL MATERIAL USED MADE IN THE USA

ALTOMARE PRECAST, INC.
 4300 Wissahickon Ave.
 Philadelphia, PA 19129
 Ph: 215-225-8800 Fax: 215-225-8900

TITLE:

**2x6
 Doghouse Riser/Top**

PROJECT:

CONTR:

DATE: