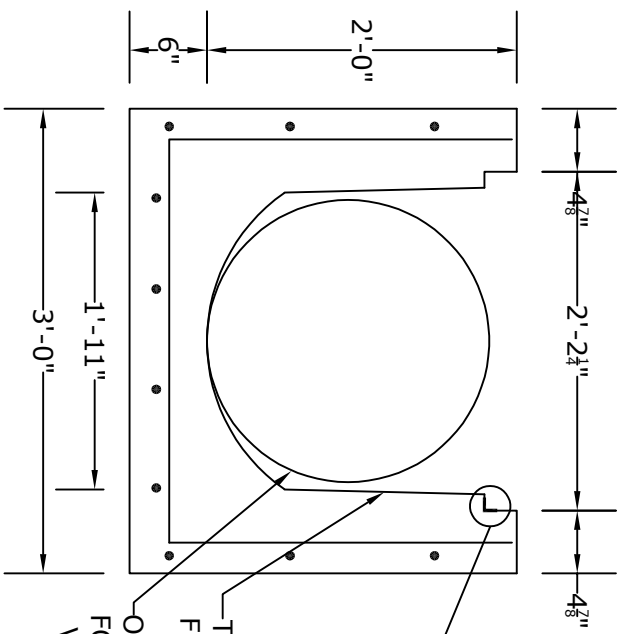
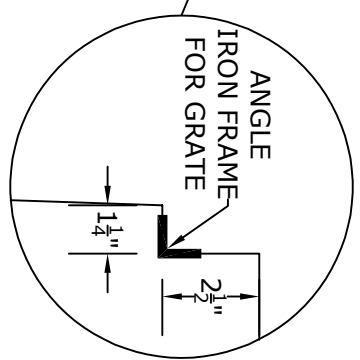


SECTION A



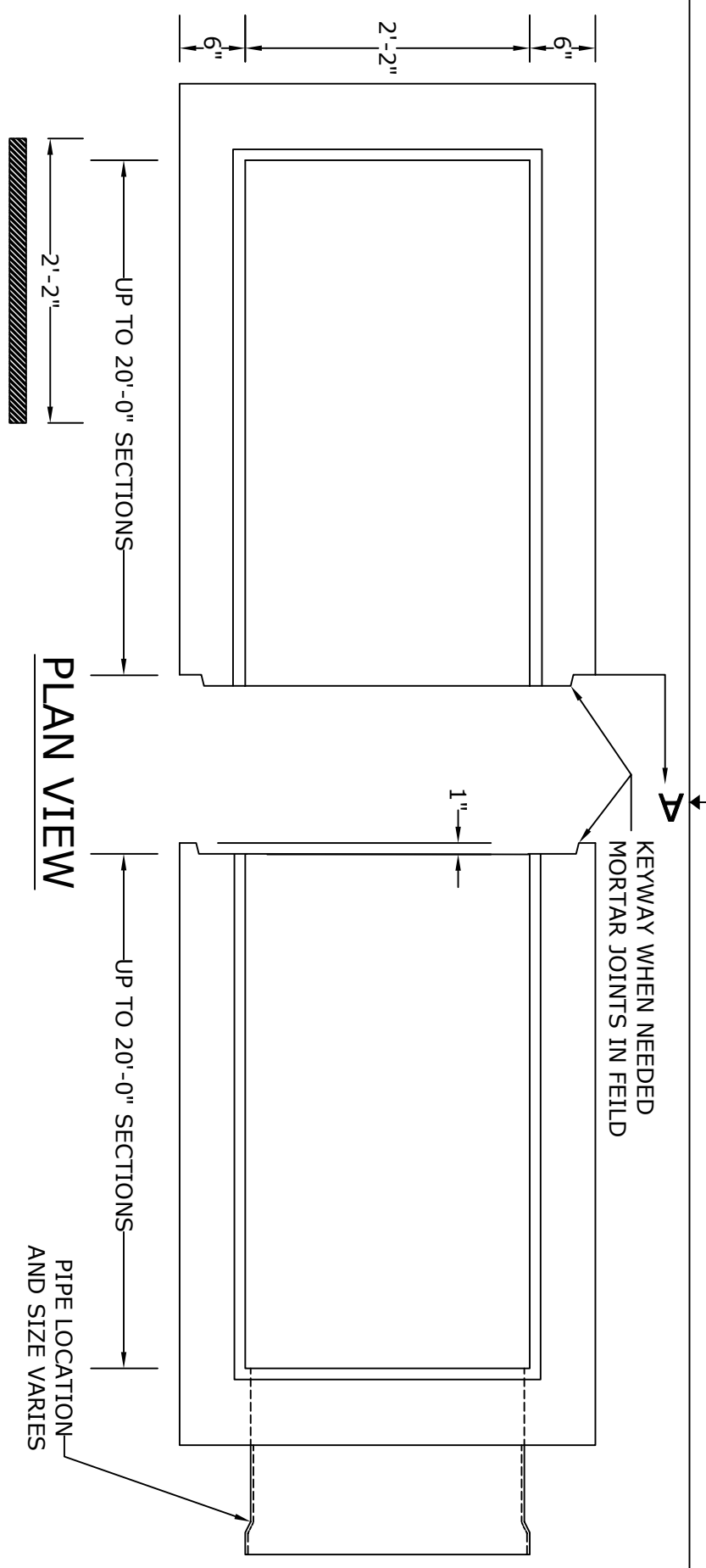
TAPERED INSIDE FOR PRECASTING
 OPENING FOR PIPE VARIES



NOTES

1. CONCRETE - 4000psi, AIR ENTRAINED
2. REINFORCING STEEL - GRADE 60, ASTM A-615 (PER PENNDOT PUB. 408 & 72M LATEST REV.)
3. GRATING - SEE ACCOMPANYING SPEC. SHEET
4. MEETS HS-20 & H-25
5. LOCATIONS OF PIPE OPENINGS AS REQUIRED
6. ALL MATERIAL USED MADE IN THE USA

PLAN VIEW



ALTOMARE PRECAST, INC.
 4300 Wissahickon Ave.
 Philadelphia, PA 19129
 Ph: 215-225-8800 Fax: 215-225-8900

TITLE:
24" TRENCH DRAIN

PROJECT:
 CONTR:
 DATE: