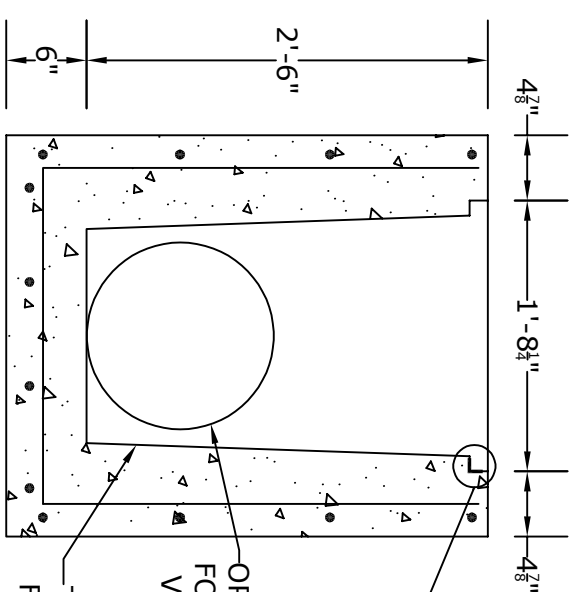


PLAN VIEW



SECTION A

- NOTES**
1. CONCRETE - 4000psi, AIR ENTRAINED
 2. REINFORCING STEEL - GRADE 60, ASTM A-615 (PER PENNDOT PUB. 408 & 72M LATEST REV.)
 3. GRATING - SEE ACCOMPANYING SPEC. SHEET
 4. MEETS HS-20 & H-25
 5. LOCATIONS OF PIPE OPENINGS AS REQUIRED
 6. ALL MATERIAL USED MADE IN THE USA

ALTOMARE PRECAST, INC.
 4300 Wissahickon Ave.
 Philadelphia, PA 19129
 Ph: 215-225-8800 Fax: 215-225-8900

TITLE:
18" TRENCH DRAIN

PROJECT:
CONTR:
DATE: