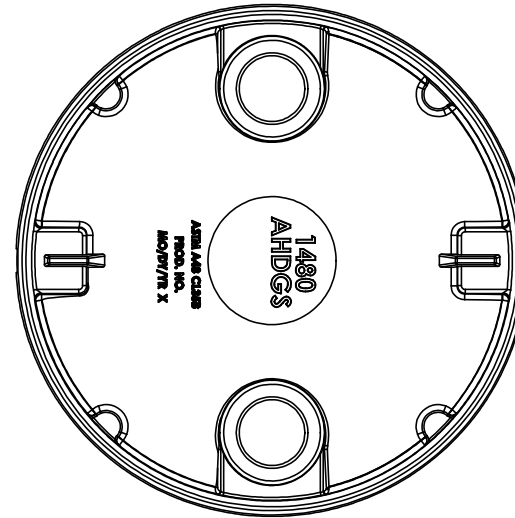
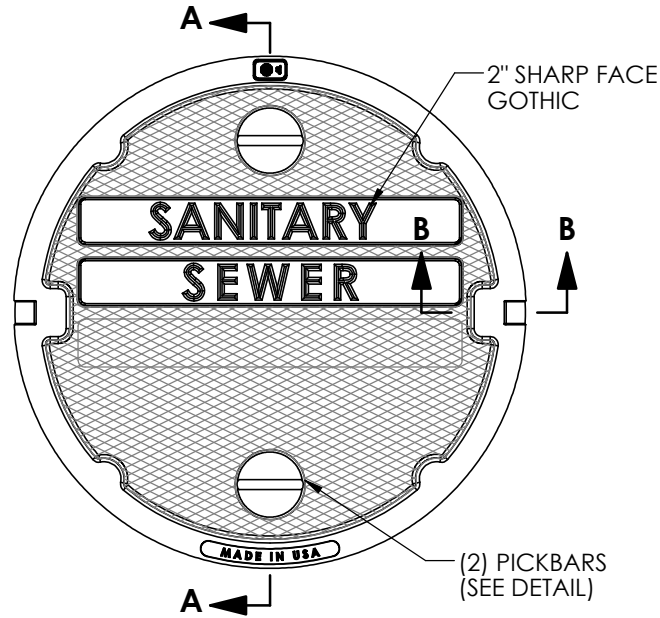
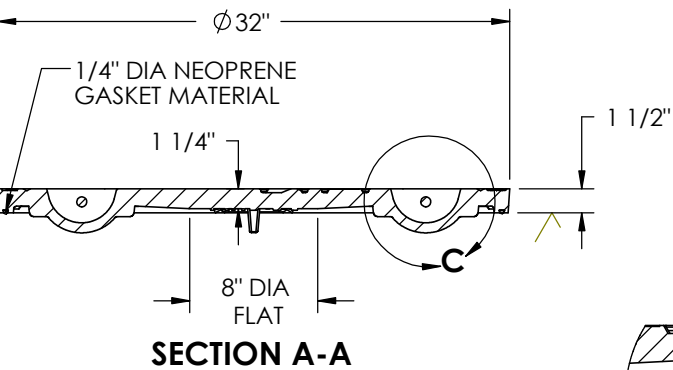


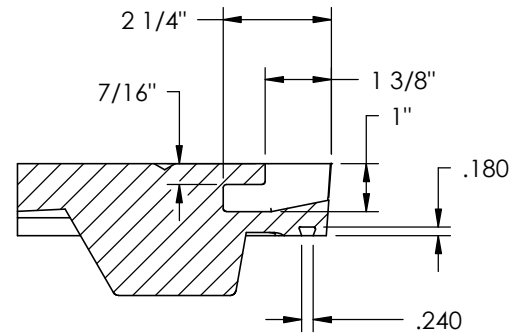
# 1480AGS Cover



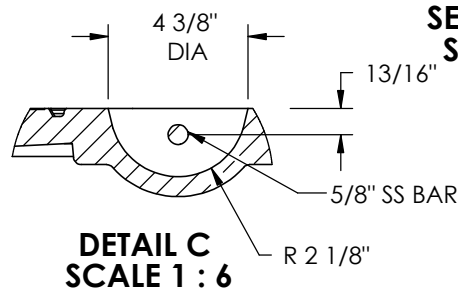
**BOTTOM VIEW**



**SECTION A-A**



**SECTION B-B  
SCALE 1 : 4**



**DETAIL C  
SCALE 1 : 6**

**Product Number**

00147958

**Design Features**

- Materials  
Gray Iron (CL35B)
- Design Load  
Heavy Duty
- Open Area  
n/a
- Coating  
Undipped
- √ Designates Machined Surface

**Weight**

-237lbs

**Certification**

- ASTM A48
- 
- Country of Origin: USA

**Drawing Revision**

5/5/2010 Designer: JIJ  
7/10/2014 Revised By: DAE

**Disclaimer**

Weights (lbs/kg), dimensions (inches/mm) and drawings provided for your guidance. We reserve the right to modify specifications without prior notice.

CONFIDENTIAL: This drawing is the property of EJ Group, Inc. and embodies confidential information, registered marks, patents, trade secret information, and/or know how that is the property of EJ Group, Inc. Copyright © 2012 EJ Group, Inc. All rights reserved.

**Contact**

800 626 4653  
ejco.com