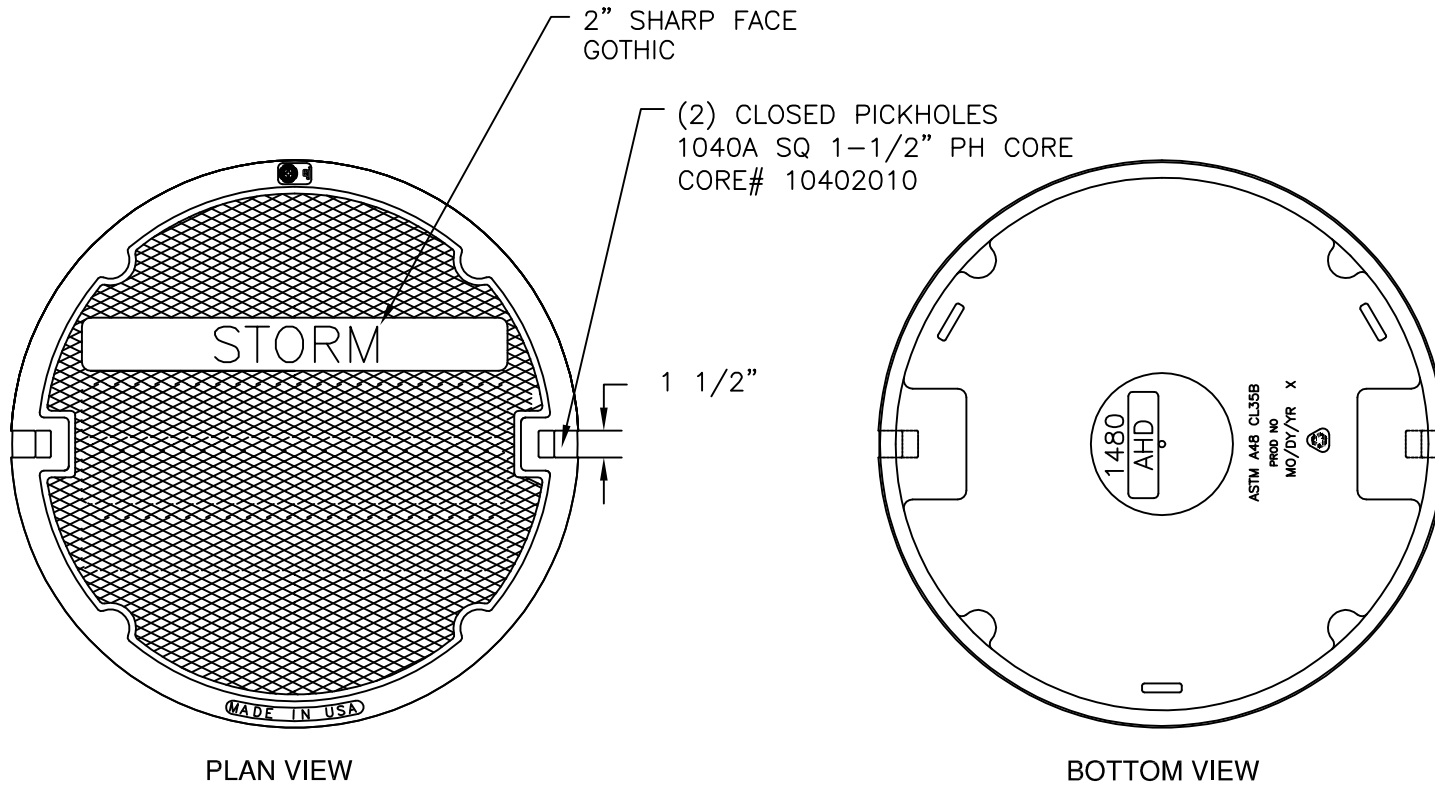


# 1480A Cover



**Product Number**  
00148074

**Design Features**

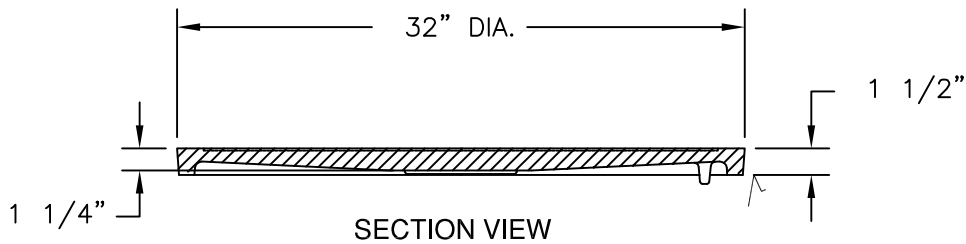
- Materials  
Gray Iron (CL35B)
- Design Load  
Heavy Duty
- Open Area  
n/a
- Coating  
Dipped
- √ Designates Machined Surface

**Weight**

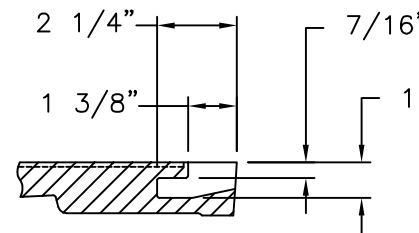
- 206 lb.

**Certification**

- ASTM A48
- 
- 
- Country of Origin: USA



SECTION VIEW



PICKHOLE & GROOVE  
DETAIL

**Drawing Revision**

7/10/2003 Designer: TCL  
6/28/2016 Revised By: MAH

**Disclaimer**

Weights (lbs./kg) dimensions (inches/mm) and drawings provided for your guidance. We reserve the right to modify specifications without prior notice.

CONFIDENTIAL: This drawing is the property of EJ GROUP, Inc., and embodies confidential information, registered marks, patents, trade secret information, and/or know how that is the property of EJ GROUP, Inc. Copyright © 2012 EJ GROUP, Inc. All rights reserved.

**Contact**

800 626 4653  
ejco.com