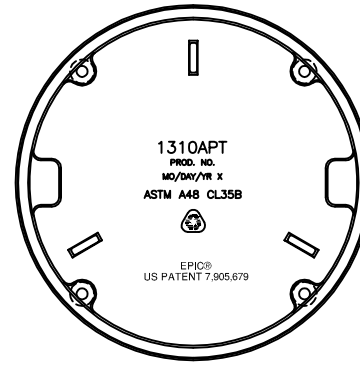
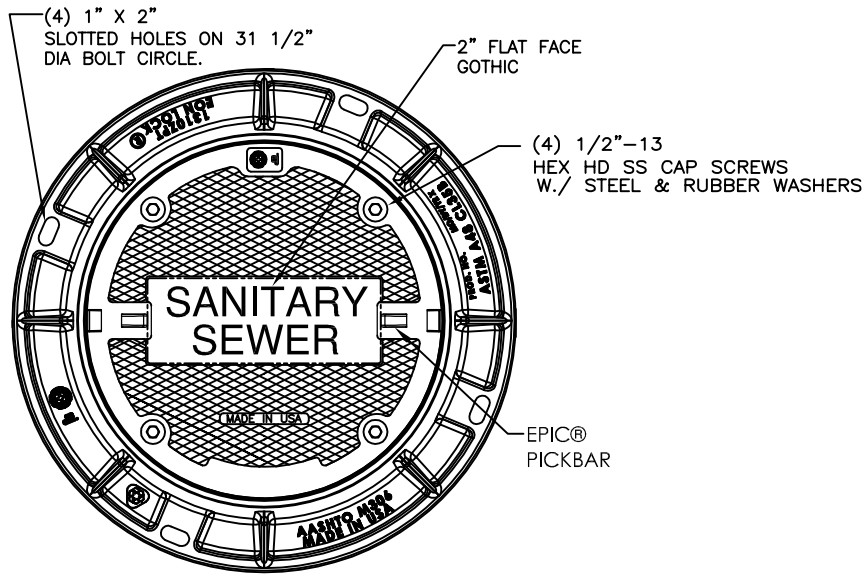
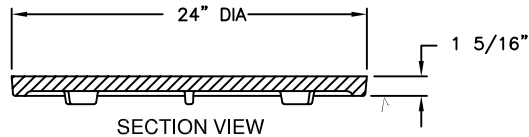


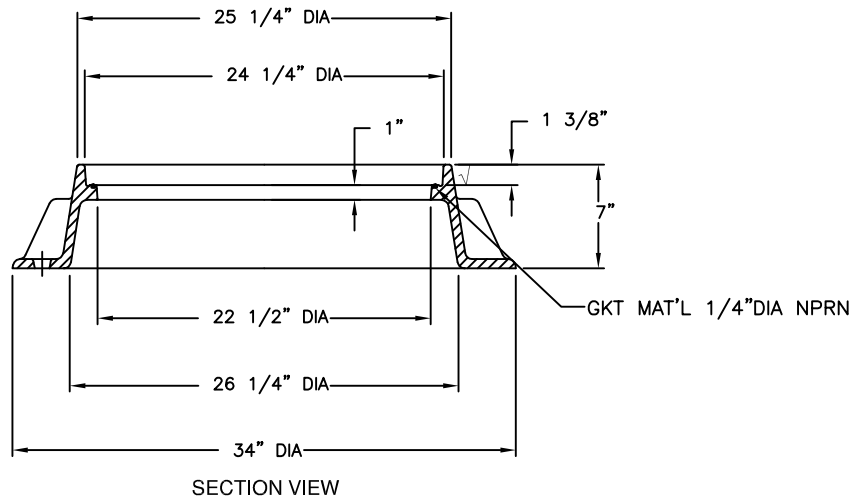
1310ZPT 1310APT Assembly



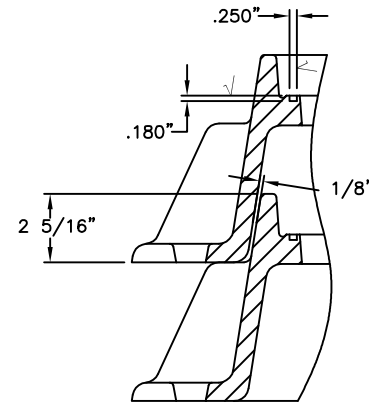
BOTTOM VIEW



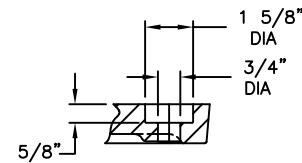
SECTION VIEW



SECTION VIEW



STACKING & GASKET GROOVE DETAIL



BOLTHOLE DETAIL

Product Number

00131051

Design Features

- Materials
 - Frame
Gray Iron (CL35B)
 - Cover
Gray Iron (CL35B)

- Design Load
Heavy Duty

- Open Area
n/a

- Coating
Undipped

- √ Designates Machined Surface

Certification

-
-
-
- Country of Origin: USA

Major Components

00131013

00131043

Drawing Revision

05/31/2006 Designer: KMB

6/6/2017 Revised By: CSF

Disclaimer

Weights (lbs./kg) dimensions (inches/mm) and drawings provided for your guidance. We reserve the right to modify specifications without prior notice.

CONFIDENTIAL: This drawing is the property of EJ GROUP, Inc., and embodies confidential information, registered marks, patents, trade secret information, and/or know how that is the property of EJ GROUP, Inc. Copyright © 2012 EJ GROUP, Inc. All rights reserved.

Contact

800 626 4653

ejco.com