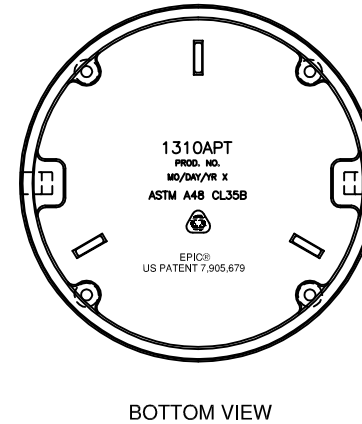
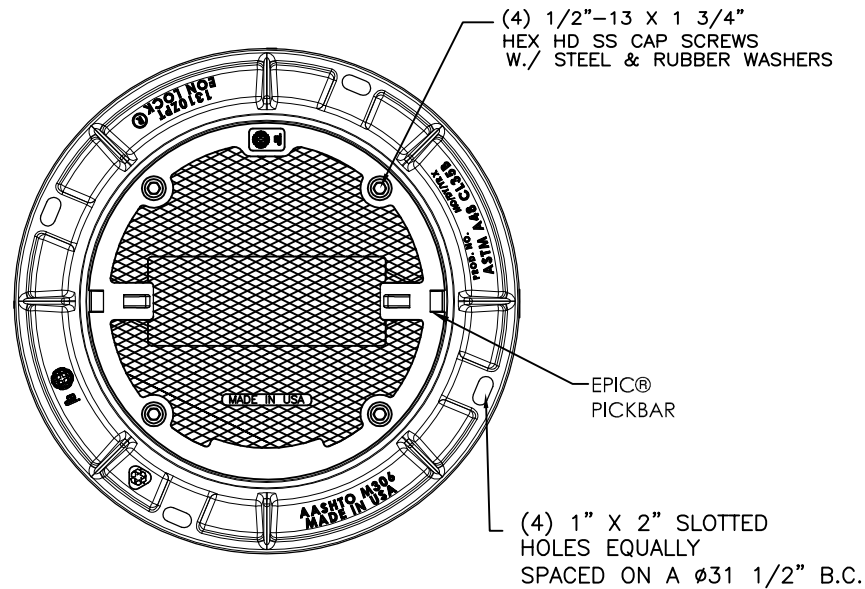


1310APT 1310ZPT Assembly



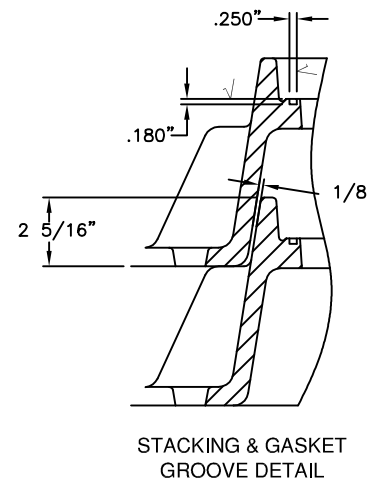
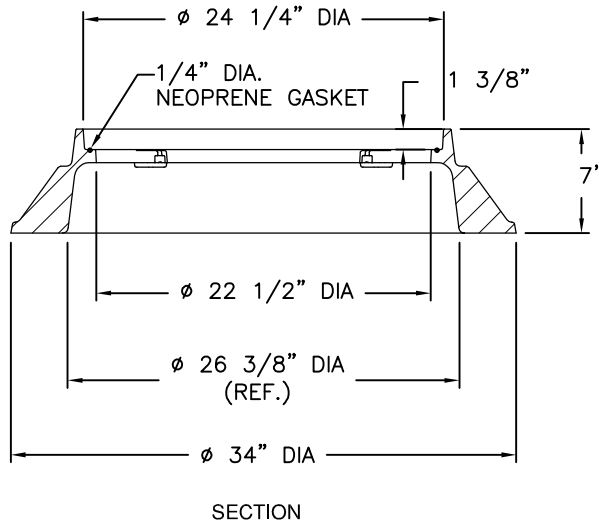
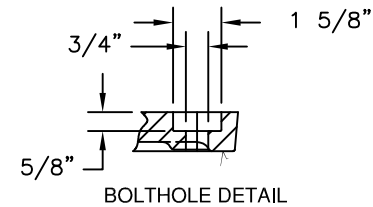
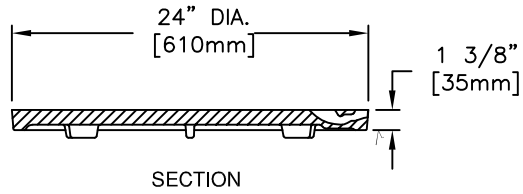
Product Number

00131000W01

Design Features

- Materials
- Cover
- Gray Iron (CL35B)
- Frame
- Gray Iron (CL35B)

- Design Load
- Heavy Duty
- Open Area
- n/a
- Coating
- Undipped
- √ Designates Machined Surface



Certification

- ASTM A48
-
-
- Country of Origin: USA

Major Components

00131020
00131013

Drawing Revision

08/05/2013 Designer: MAH
8/28/2013 Revised By: DAE

Disclaimer

Weights (lbs./kg) dimensions (inches/mm) and drawings provided for your guidance. We reserve the right to modify specifications without prior notice.

CONFIDENTIAL: This drawing is the property of EJ GROUP, Inc., and embodies confidential information, registered marks, patents, trade secret information, and/or know how that is the property of EJ GROUP, Inc. Copyright © 2012 EJ GROUP, Inc. All rights reserved.

Contact

800 626 4653
ejco.com