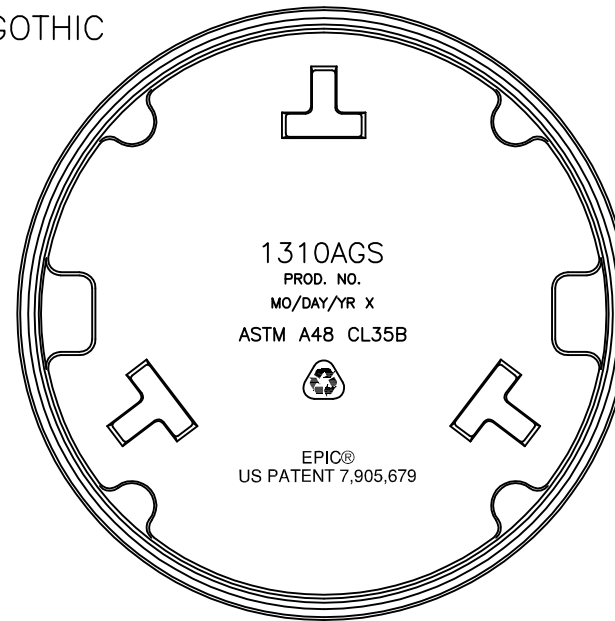
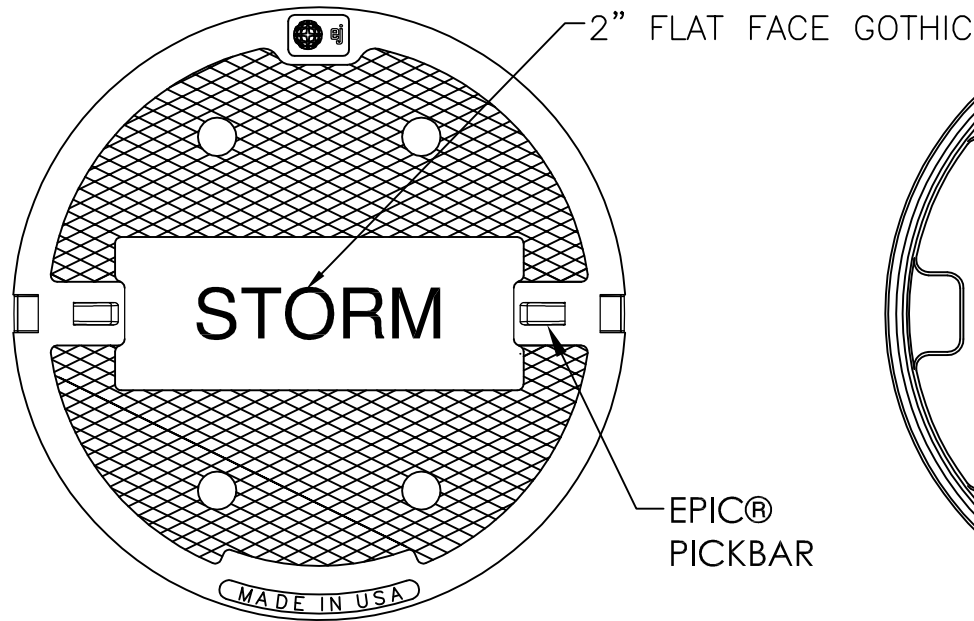


1310AGS Cover



Product Number

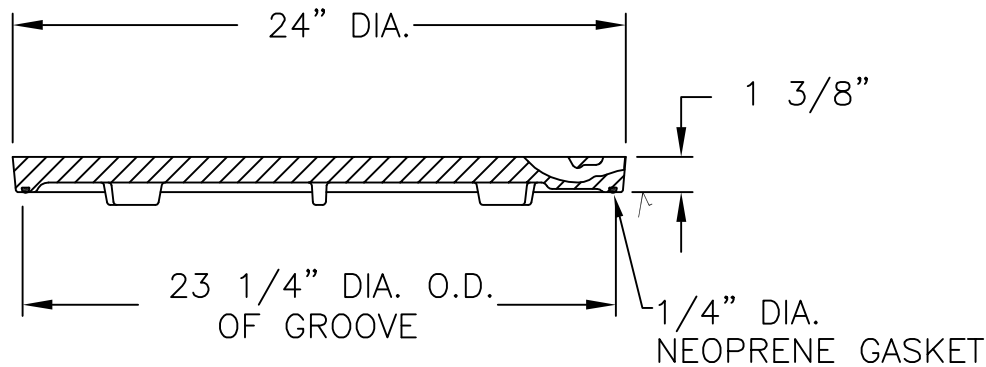
001310031

Design Features

- Materials
Gray Iron (CL35B)
- Load Rating
Heavy Duty
- Open Area
n/a
- Coating
Undipped
- ✓ Designates Machined Surface

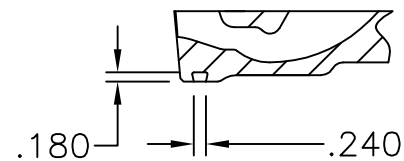
Certification

- ASTM A48
-
-
- Country of Origin: USA



SECTION VIEW

BOTTOM VIEW



PICKHOLE DETAIL & GASKET GROOVE DETAIL

Drawing Revision

9/22/2017 Designer: MAH
10/24/2018 Revised By: DEF

Disclaimer

Weights (lbs./kg) dimensions (inches/mm) and drawings provided for your guidance. We reserve the right to modify specifications without prior notice.

CONFIDENTIAL: This drawing is the property of EJ GROUP, Inc., and embodies confidential information, registered marks, patents, trade secret information, and/or know how that is the property of EJ GROUP, Inc. Copyright © 2018 EJ GROUP, Inc. All rights reserved.

Contact

800 626 4653
ejco.com