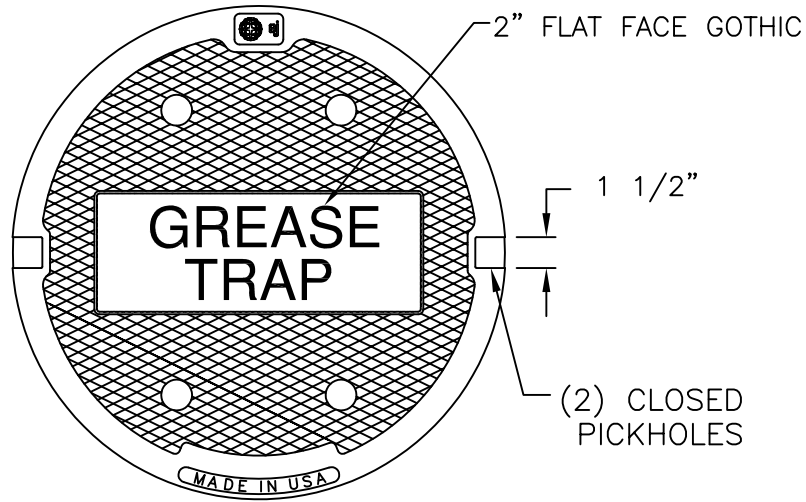


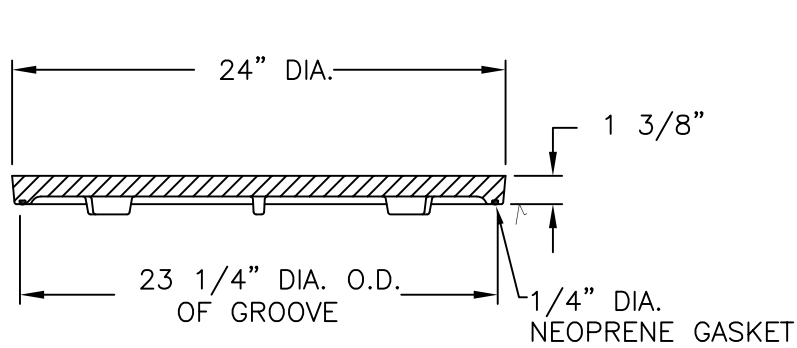
# 1310 Cover



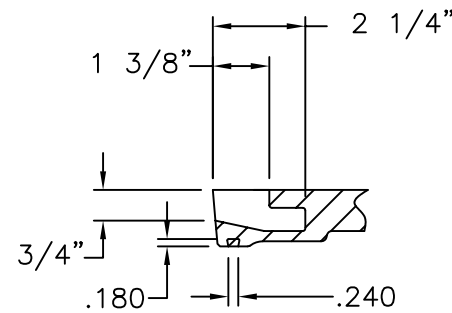
PLAN VIEW



BOTTOM VIEW



SECTION VIEW



PICKHOLE DETAIL & GASKET GROOVE DETAIL

## Product Number

00131033

## Design Features

- Materials  
Gray Iron (CL35)
- Design Load  
Heavy Duty
- Open Area  
n/a
- Coating  
Undipped
- √ Designates Machined Surface

## Certification

- ASTM A48
- 
- 
- Country of Origin:USA

## Drawing Revision

3/6/2012 Designer: DJH  
4/24/2012 Revised By: DJH

## Disclaimer

Weights (lbs./kg) dimensions (inches/mm) and drawings provided for your guidance. We reserve the right to modify specifications without prior notice.

CONFIDENTIAL: This drawing is the property of EJ GROUP, Inc., and embodies confidential information, registered marks, patents, trade secret information, and/or know how that is the property of EJ GROUP, Inc. Copyright © 2011 EJ GROUP, Inc. All rights reserved.

## Contact

800 626 4653  
ejco.com

# PA 22" X 7" UND FR

0PA013100002

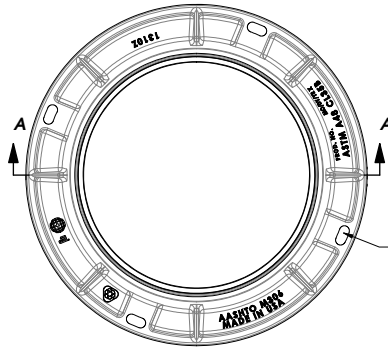


## 1310Z Frame

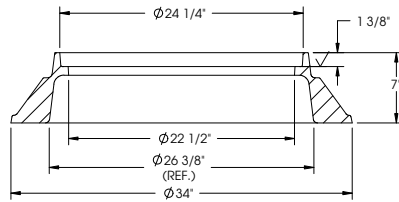


00131011

Quantity: 1



(4) 1" X 2" SLOTTED HOLES EQUALLY SPACED ON A  $\phi 31 \frac{1}{2}$ " B.C.



SECTION A-A

### Product Number

00131011

### Design Features

- Materials
  - Gray Iron (CL35B)
- Design Load
  - Heavy Duty
- Open Area
  - Rfla
- Coating
  - Undipped
- √ Designates Machined Surface

- Estimated Weight - 130 lbs.

### Certification

- ASTM A48
- 
- Country of Origin: USA

### Drawing Revision

3/16/2012 Designer: DJH  
03/06/2014 Revised By: MAH

### Disclaimer

Weights (lbs/kg), dimensions (inches/mm) and drawings provided for your guidance. We reserve the right to modify specifications without prior notice.

CONFIDENTIAL: This drawing is the property of EJ Group, Inc. and embodies confidential information, registered marks, patents, trade secret information, and/or know how that is the property of EJ Group, Inc. Copyright © 2013 EJ Group, Inc. All rights reserved.

### Contact

800 626 4653  
ejco.com

### Disclaimer

Weight (lbs./kg), dimensions (inches/mm) and drawings provided for your guidance. We reserve the right to modify specifications without prior notices

CONFIDENTIAL: This drawing is the property of EJ GROUP, Inc., and embodies confidential information, registered marks, patents, trade secret information, and/or know how that is the property of EJ GROUP, Inc. Copyright © 2014 EJ GROUP, Inc. All rights reserved

### Contact

800 626 4653  
ejco.com