

# 1310A COVER

PRODUCT NUMBER

00131087

DESIGN FEATURES

MATERIALS

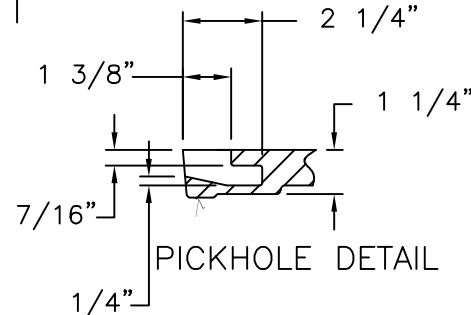
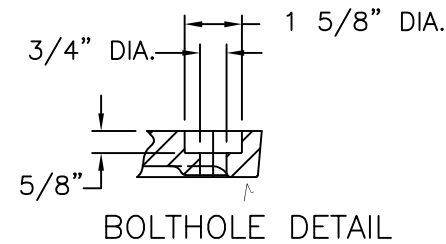
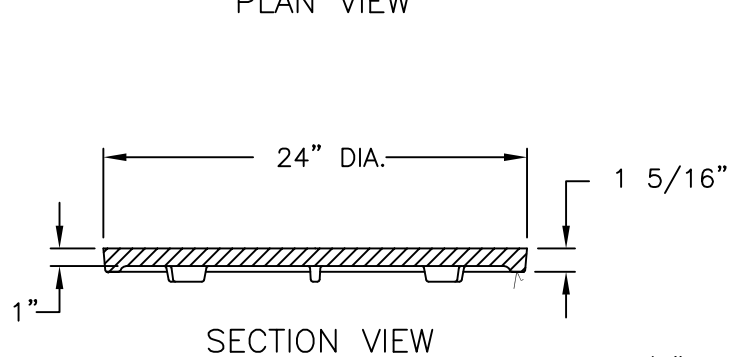
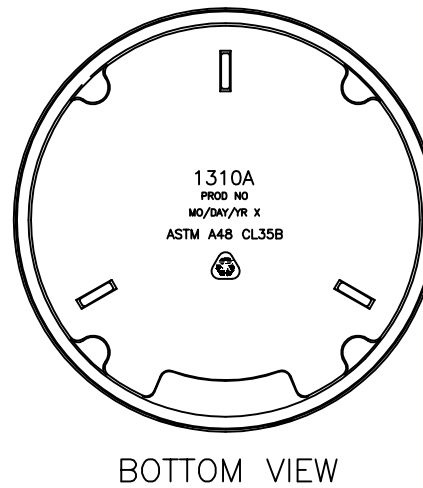
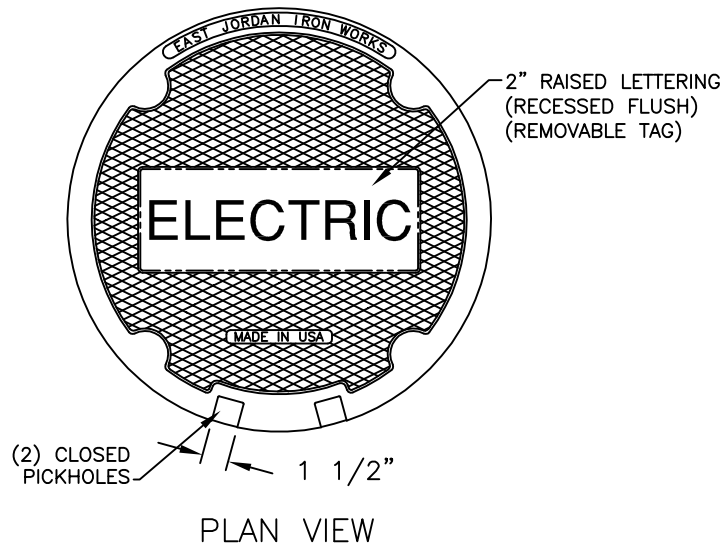
COVER-GRAY IRON  
ASTM A48 CL35B

DESIGN LOAD  
HEAVY DUTY

COATING  
UNDIPPED

OPEN AREA  
N/A

√ DESIGNATES MACHINED SURFACE



Corporate  
Headquarters  
301 Spring Street  
PO Box 439  
East Jordan, MI  
49727-0439  
800.874.4100



Call Today for  
More Information

800.626.4653

**EJIW EAST JORDAN**  
IRON WORKS EST 1883  
WE COVER YOUR INFRASTRUCTURE

www.ejiw.com  
MADE IN THE USA

DRAWING DETAILS

ORIGINAL DRAWING: SBB 05/05/11

REVISED BY:

- Weights (lbs./kg.), dimensions (inches/mm.), and drawings provided for your guidance.
- We reserve the right to modify specifications without prior notice.
- Uncontrolled distribution.

CONFIDENTIAL: This drawing is the property of East Jordan Iron works, Inc., and embodies confidential information, registered marks, trade secret information, and/or know how that is the property of East Jordan Iron Works, Inc. ©Copyright 2009 East Jordan Iron Works, Inc.