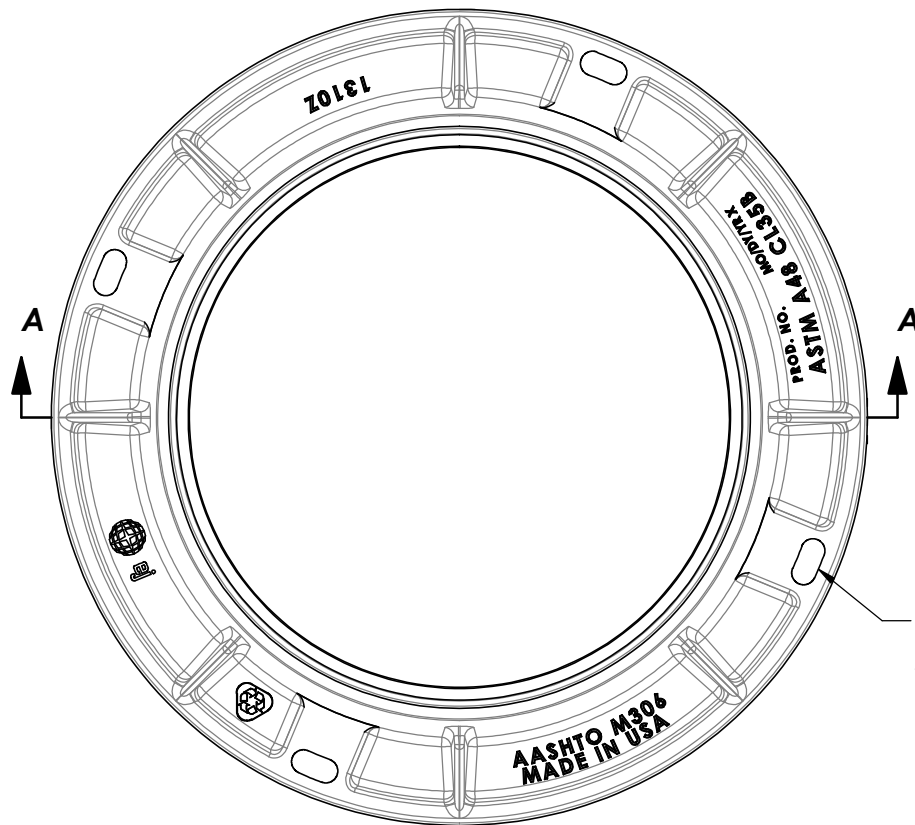
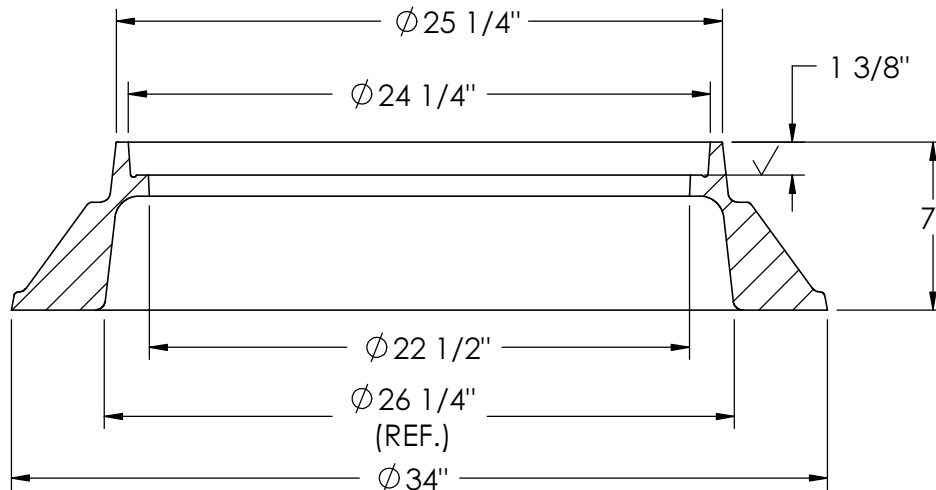


# 1310Z Frame



(4) 1" X 2" SLOTTED HOLES EQUALLY SPACED ON A  $\phi 31 \frac{1}{2}$ " B.C.



**SECTION A-A**

### Product Number

00131011

### Design Features

- Materials  
Gray Iron (CL35B)
- Design Load  
Heavy Duty
- Open Area  
n/a
- Coating  
Undipped
- √ Designates Machined Surface
- Estimated Weight - 130 lbs.

### Certification

- ASTM A48
- 
- Country of Origin: USA

### Drawing Revision

3/16/2012 Designer: DJH  
12/3/2019 Revised By: MAH

### Disclaimer

Weights (lbs/kg), dimensions (inches/mm) and drawings provided for your guidance. We reserve the right to modify specifications without prior notice.

CONFIDENTIAL: This drawing is the property of EJ Group, Inc. and embodies confidential information, registered marks, patents, trade secret information, and/or know how that is the property of EJ Group, Inc. Copyright © 2013 EJ Group, Inc. All rights reserved.

### Contact

800 626 4653  
ejco.com