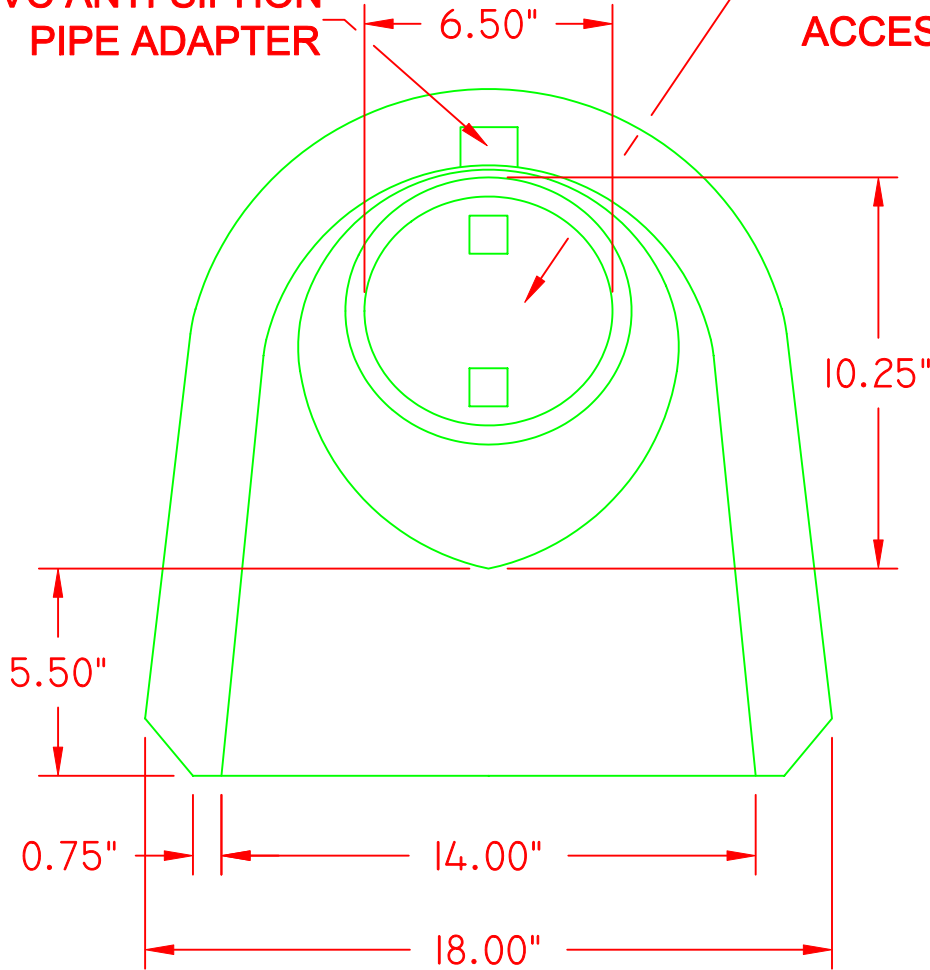
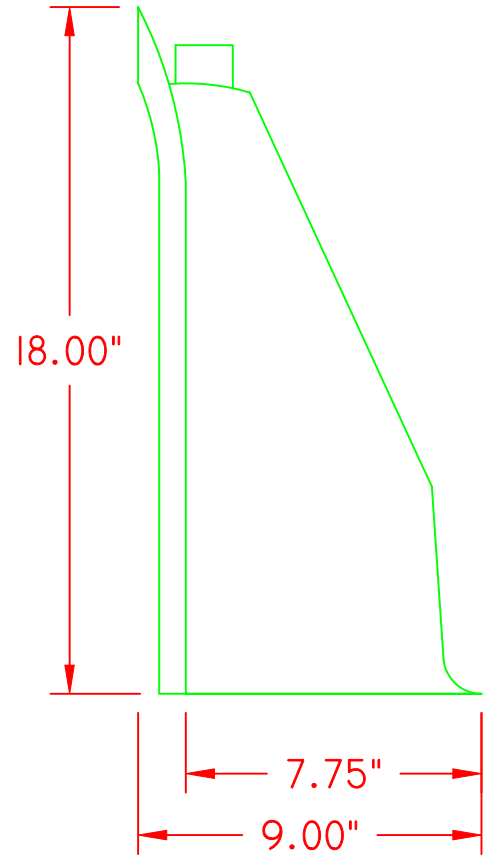


1" PVC ANTI-SIPHON
PIPE ADAPTER

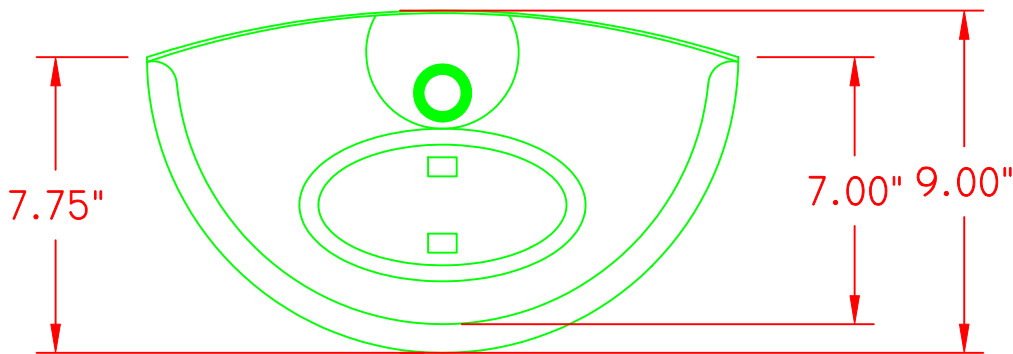
REMOVABLE WATERTIGHT
ACCESS PORT, 6" OPENING



FRONT



SIDE



PLAN

**DESIGNED TO FIT
36"-48" DIAM.
STRUCTURES**

US PATENT #6126817 ADDITIONAL PATENTS PENDING

BMP, INC.

53 MT. ARCHER ROAD, LYME, CT. 06371
(800) 504-8008 FAX: (860)434-3195

DESCRIPTION	DATE	SCALE
12R SNOOT OIL & DEBRIS STOP	09/09/99	NONE
	DRAWING NUMBER 12R	