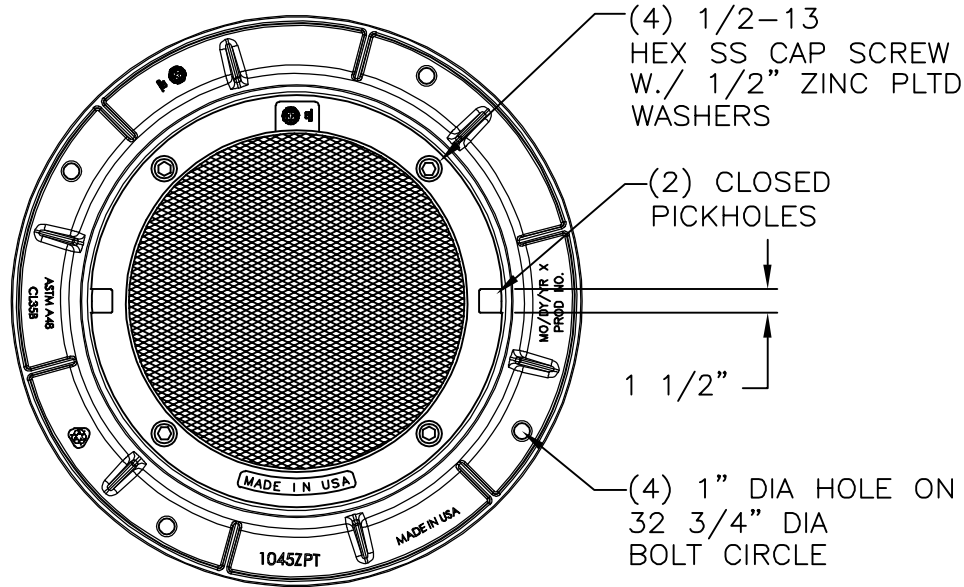
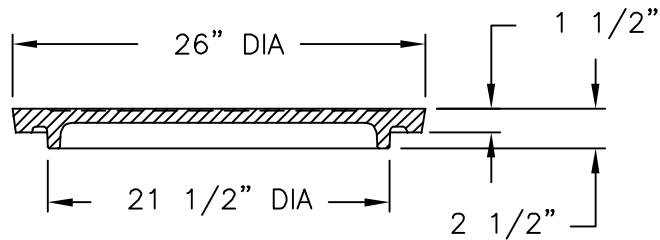


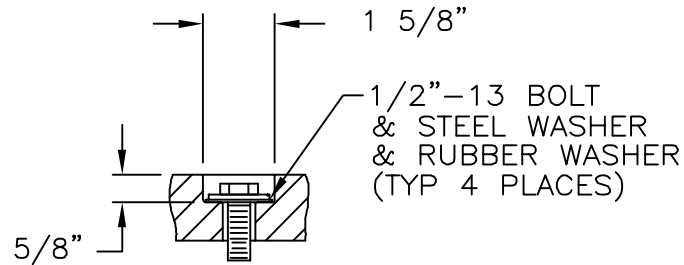
1040APT 1045ZPT Assembly



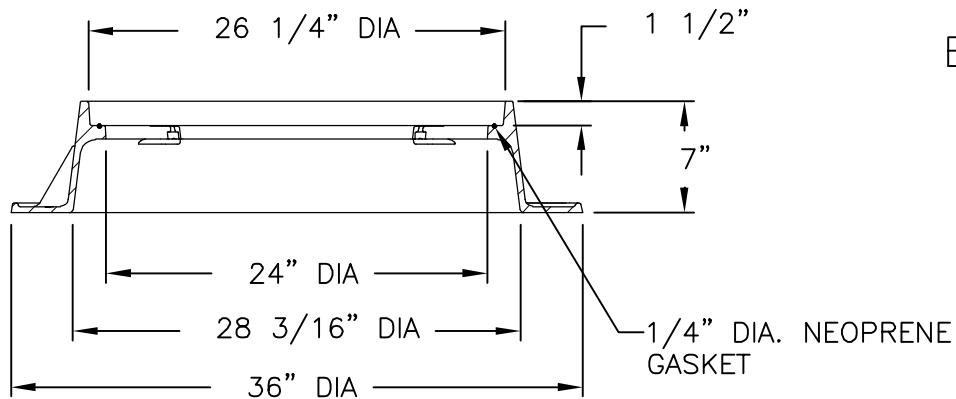
PLAN VIEW



COVER SECTION



BOLT DETAIL



FRAME SECTION

Product Number

00104508

Design Features

- Materials
 - Cover
Gray Iron (CL35B)
 - Frame
Gray Iron (CL35B)

-Load Rating

Heavy Duty

-Open Area

n/a

-Coating

Dipped

-√ Designates Machined Surface

Certification

-
- H25
- ASTM A48
- Country of Origin: USA

Major Components

00104021

00104512

Drawing Revision

03/07/2001 Designer: SBB
2/2/2022 Revised By: MAH

Disclaimer

Weights (lbs./kg) dimensions (inches/mm) and drawings provided for your guidance. We reserve the right to modify specifications without prior notice.

CONFIDENTIAL: This drawing is the property of EJ GROUP, Inc., and embodies confidential information, registered marks, patents, trade secret information, and/or know how that is the property of EJ GROUP, Inc. Copyright © 2012 EJ GROUP, Inc. All rights reserved.

Contact

800 626 4653
ejco.com