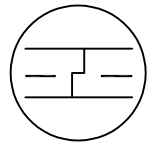
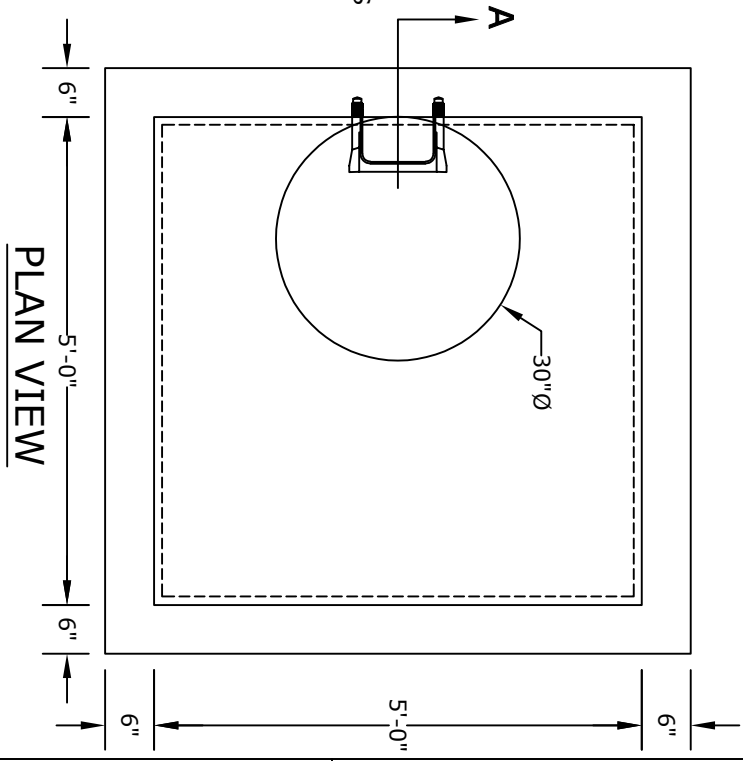


SECTION A



OPTIONAL JOINT
(WHEN NEEDED)

REINFORCING PER
RC-46M STANDARDS



PLAN VIEW

- NOTES**
1. CONCRETE - 4000 psi, AIR ENTRAINED
 2. REINFORCING STEEL - GRADE 60, ASTM A-615
- REINFORCING BASED ON PENNDOT RC-46M
 3. WELDED WIRE FABRIC - ASTM-A185
 4. LADDER RUNGS - COPOLYMER POLYPROPYLENE
PLASTIC w/1/2" REBAR, GRADE 60 WHEN NEEDED
 5. MATERIAL AND CONSTRUCTION SHALL COMPLY
WITH PENNDOT PUB. 408, 72, & RC46M
 6. LOCATIONS OF PIPE OPENINGS AS REQUIRED
 7. ALL MATERIAL USED MADE IN THE USA

ALTOMARE PRECAST, INC.
4300 Wissahickon Ave.
Philadelphia, PA 19129
Ph: 215-225-8800 Fax: 215-225-8900

TITLE:
PENNDOT Type 5 Box
w/ 6" Walls, Deck,
& 30"Ø Casting

PROJECT:
CONTR:
DATE: