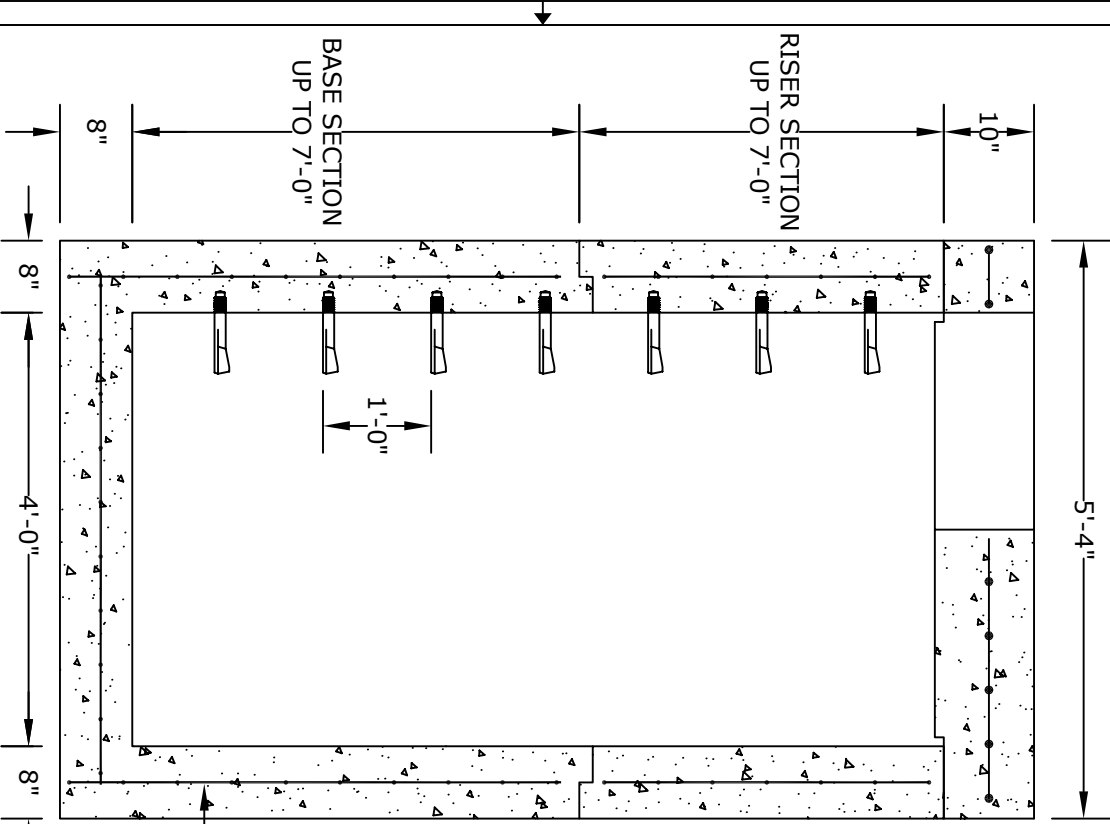
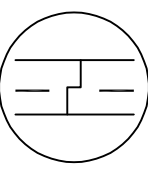


SECTION A



NOTES

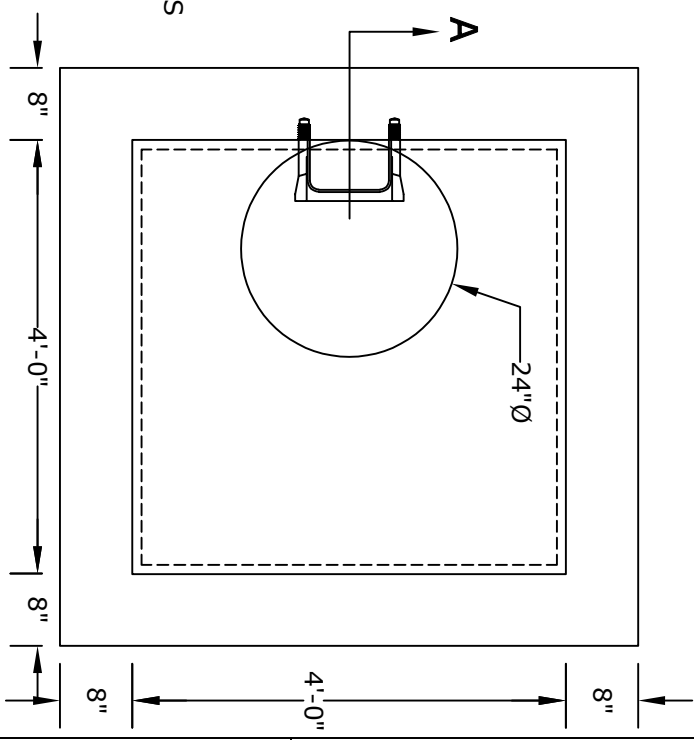
1. CONCRETE - 4000 psi, AIR ENTRAINED
2. REINFORCING STEEL - GRADE 60, ASTM A-615
- REINFORCING BASED ON PENNDOT RC-46M
3. WELDED WIRE FABRIC - ASTM-A185
4. LADDER RUNGS - COPOLYMER POLYPROPYLENE PLASTIC w/1/2" REBAR, GRADE 60 WHEN NEEDED
5. MATERIAL AND CONSTRUCTION SHALL COMPLY WITH PENNDOT PUB. 408, 72, & RC46M
6. LOCATIONS OF PIPE OPENINGS AS REQUIRED
7. ALL MATERIAL USED MADE IN THE USA



OPTIONAL JOINT
(WHEN NEEDED)

REINFORCING PER
RC-46M STANDARDS

PLAN VIEW



PROJECT:
CONTR:
DATE:

TITLE:
PENNDOT Type 4 Box
w/ 8" Walls, Deck,
& 24"Ø Casting

ALTOMARE PRECAST, INC.
4300 Wissahickon Ave.
Philadelphia, PA 19129
Ph: 215-225-8800 Fax: 215-225-8900