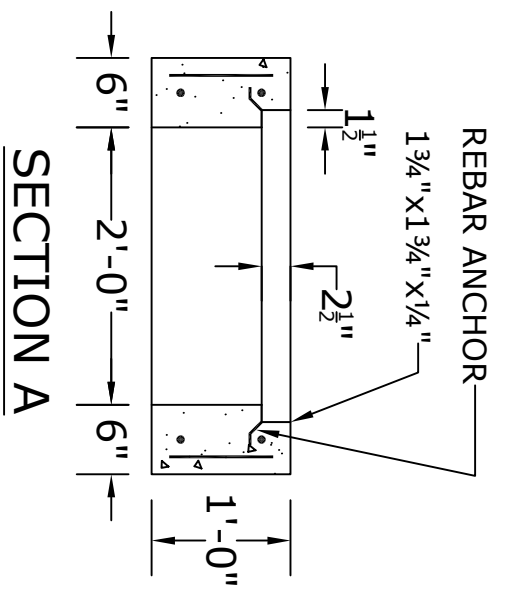
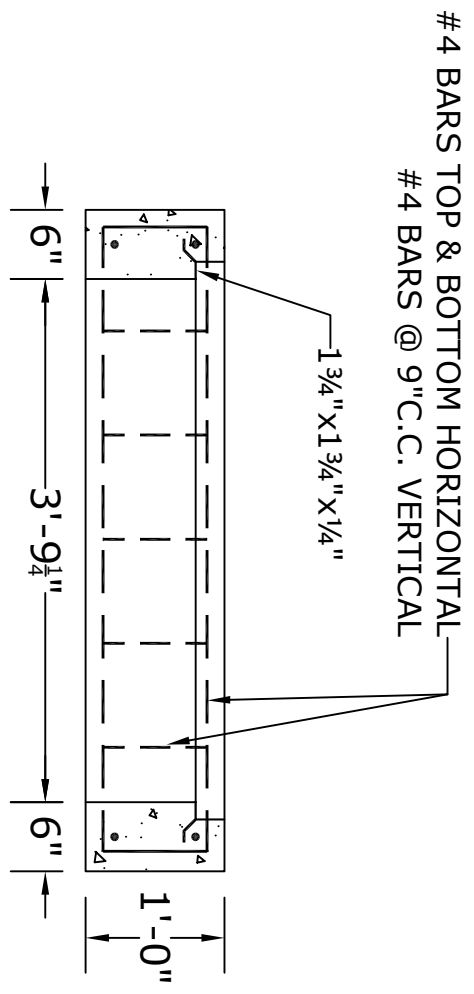


**PLAN VIEW**



**SECTION A**

- NOTES**
1. CONCRETE- 4000psi, AIR ENTRAINED
  2. REINFORCING STEEL- GRADE 60, ASTM A-615
  3. GRATE- SEE ACCOMPANYING SPEC. SHEET
  4. PER RC-45M AND PUB. 408
  5. ALL MATERIAL USED MADE IN THE USA



**SECTION B**

**ALTOMARE PRECAST, INC.**  
 4300 Wissahickon Ave.  
 Philadelphia, PA 19129  
 Ph: 215-225-8800 Fax: 215-225-8900

TITLE: PennDOT RC-45  
 Type "M" Top Standard  
 w/ Fishplate

PROJECT:  
 CONTR:  
 DATE: