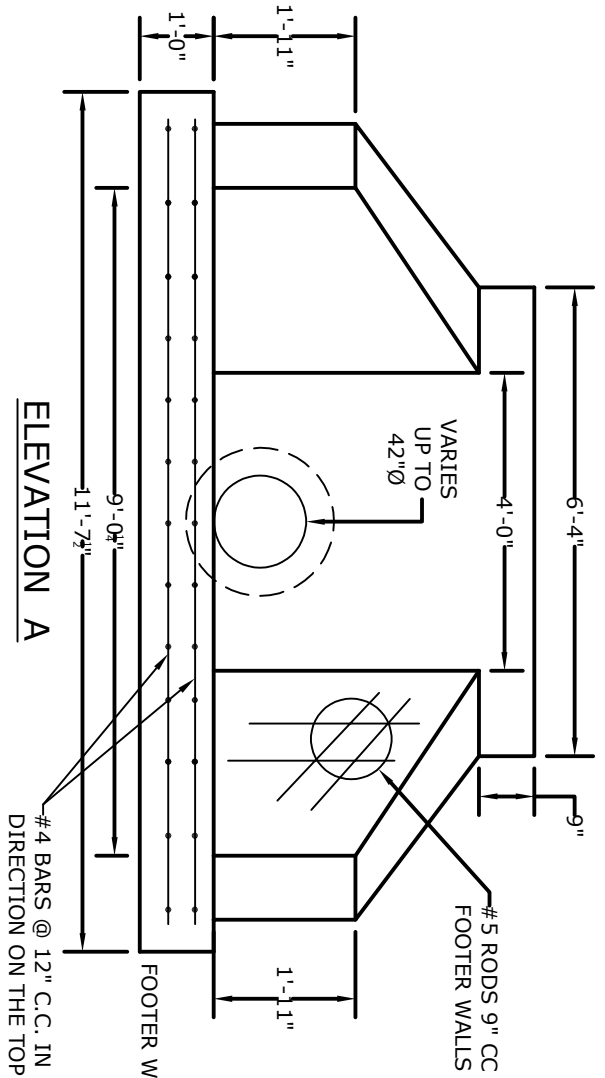
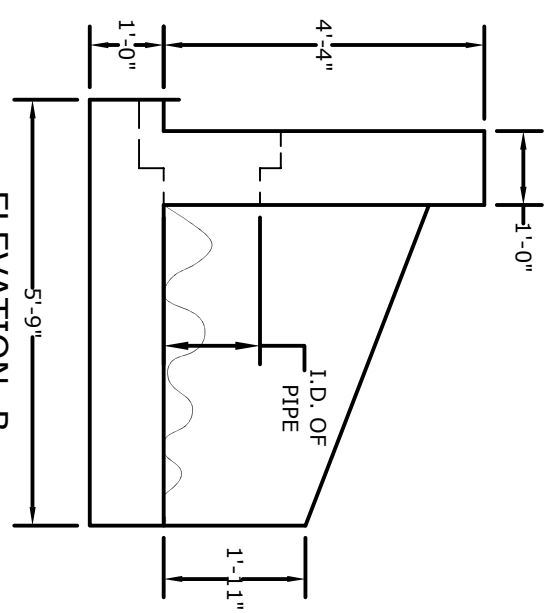


**PLAN VIEW**



**ELEVATION A**

#4 BARS @ 12" C.C. IN EACH DIRECTION ON THE TOP & BOTTOM



**ELEVATION B**

**NOTES**

1. CONCRETE - 4000psi, AIR ENTRAINED
2. REINFORCING STEEL - GRADE 60, ASTM A-615
3. WELDED WIRE FABRIC - ASTM A-185
4. MATERIAL AND CONSTRUCTION SHALL COMPLY WITH PENN D.O.T. PUB. 408
5. ALL MATERIAL USED MADE IN THE USA

**ALTOMARE PRECAST, INC.**  
 4300 Wissahickon Ave.  
 Philadelphia, PA 19129  
 Ph: 215-225-8800 Fax: 215-225-8900

**TITLE:**  
 Large  
 D-W Endwall

**PROJECT:**  
**CONTR:**  
**DATE:**