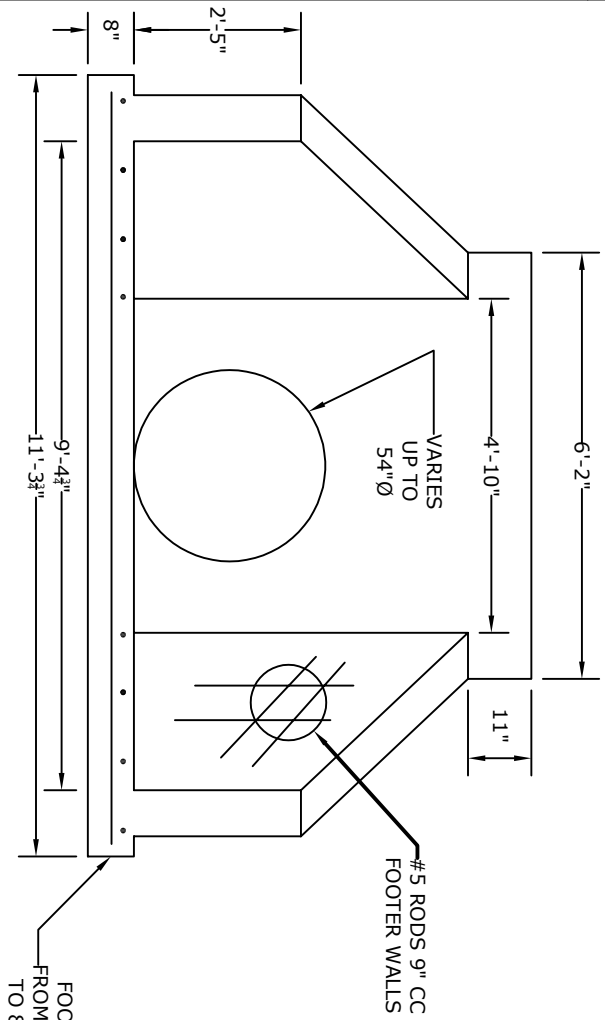
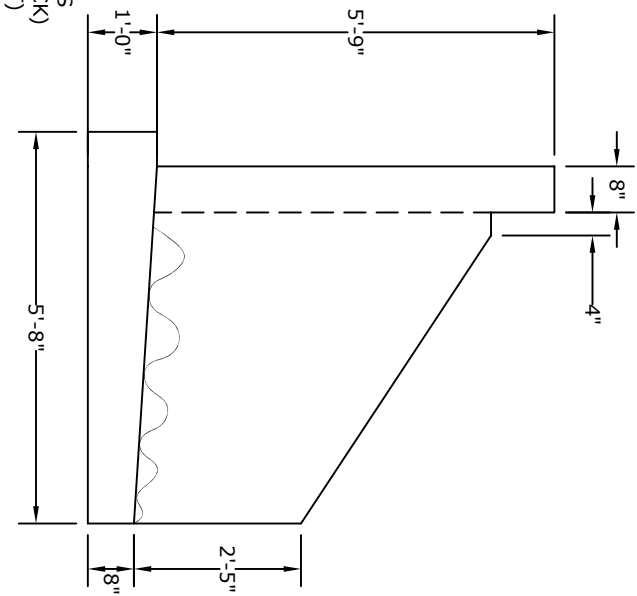


PLAN VIEW



ELEVATION A



ELEVATION B

NOTES

1. CONCRETE - 4000psi, AIR ENTRAINED
2. REINFORCING STEEL - GRADE 60, ASTM A-615
3. WELDED WIRE FABRIC - ASTM A-185
4. MATERIAL AND CONSTRUCTION SHALL COMPLY WITH PENN D.O.T. PUB. 408
5. ALL MATERIAL USED MADE IN THE USA

ALTOMARE PRECAST, INC.
 4300 Wissahickon Ave.
 Philadelphia, PA 19129
 Ph: 215-225-8800 Fax: 215-225-8900

TITLE:
 Large D-W Endwall
 (8" Walls)

PROJECT:
CONTR:
DATE: