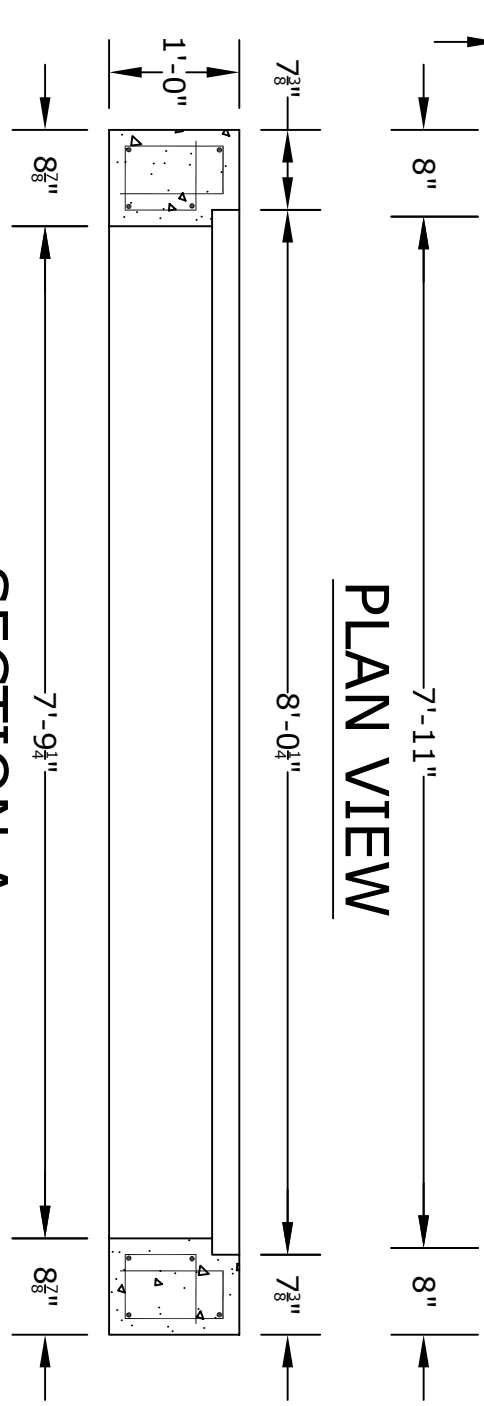
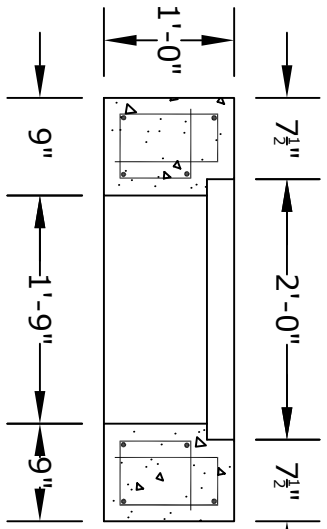


PLAN VIEW



SECTION A



SECTION B

NOTES

1. CONCRETE- 4000 psi, AIR ENTRAINED
2. REINFORCING STEEL- GRADE 60, ASTM A-615
- REINFORCING BASED ON PENNDOT RC-45M
3. GRATE- SEE ACCOMPANYING SPEC. SHEET
4. ALL MATERIAL USED MADE IN THE USA

| |
|----------|
| PROJECT: |
| CONTR: |
| DATE: |

TITLE: PennDOT
DH Top Only

ALTOMARE PRECAST, INC.
4300 Wissahickon Ave.
Philadelphia, PA 19129
Ph: 215-225-8800 Fax: 215-225-8900