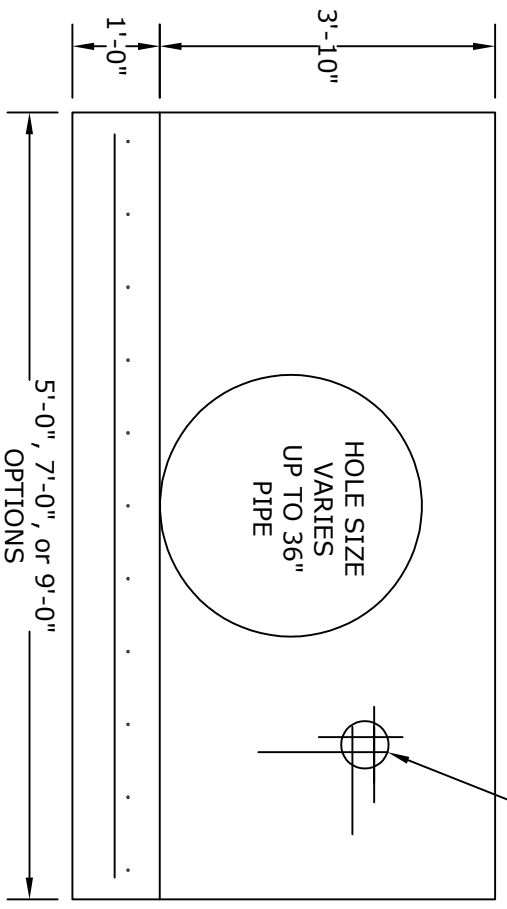


NOTES

1. CONCRETE - 4000psi, AIR ENTRAINED
2. REINFORCING STEEL - GRADE 60, ASTM A-615
3. WELDED WIRE FABRIC - ASTM A-185
4. MEETS HS-25 LOADING

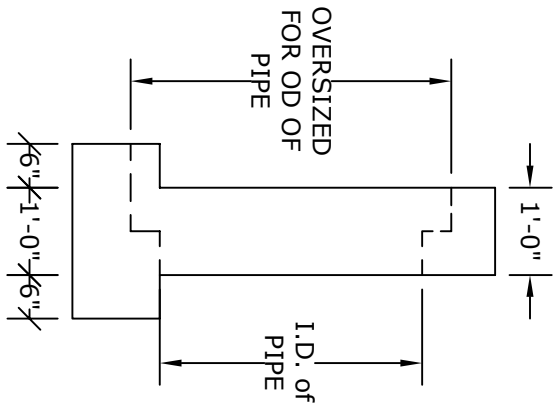


PLAN VIEW



#4 RODS FOOTER & WALLS TYPICAL

ELEVATION A



ELEVATION B

ALTOMARE PRECAST, INC.
 4300 Wissahickon Ave.
 Philadelphia, PA 19129
 Ph: 215-225-8800 Fax: 215-225-8900

TITLE:
 Type D Endwall

PROJECT:
CONTR:
DATE: