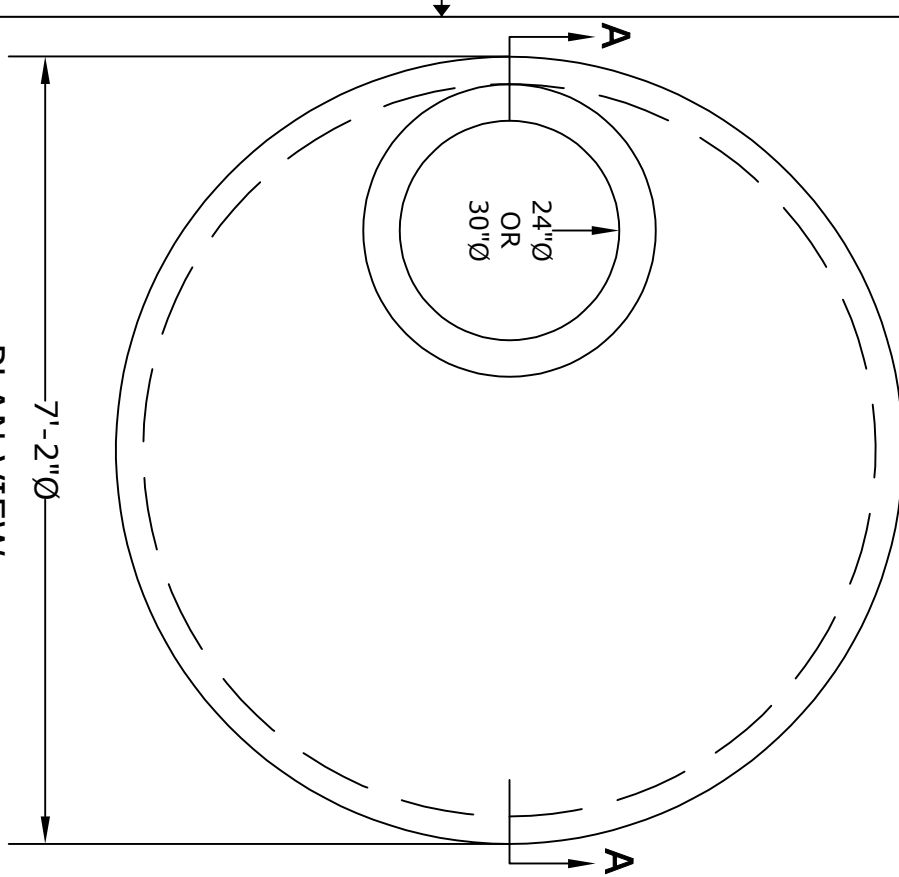
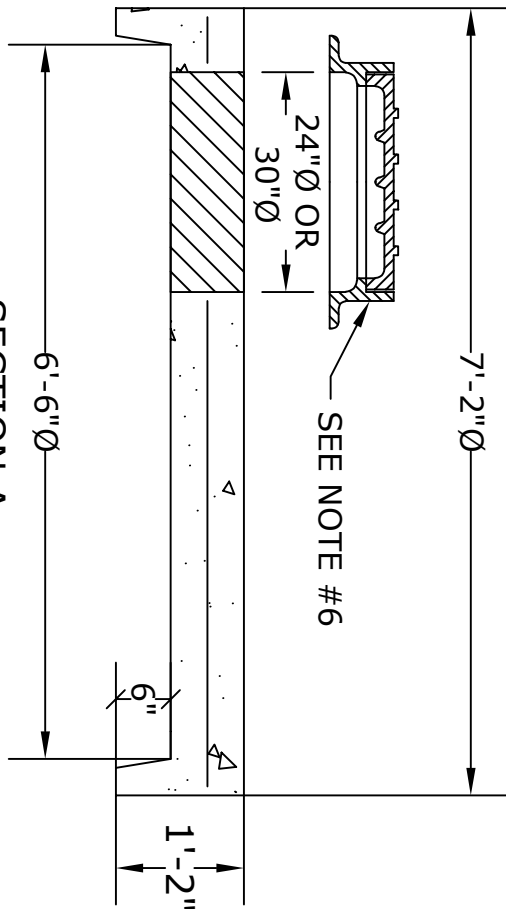


PLAN VIEW



SECTION A



**NOTES**

1. CONCRETE - 4000psi, AIR ENTRAINED
2. REINFORCING STEEL - GRADE 60, ASTM A-615
3. WELDED WIRE FABRIC - 3x12xw3/w2 ASTM A-185
4. MATERIAL AND CONSTRUCTION SHALL COMPLY WITH PENNDOT PUB. 408, 72, RC39, & A.S.T.M. C478, C890, C913, C1443 and C1557
5. FRAME AND COVER - SEE ACCOMPANYING SPEC. SHEET
6. ALL MATERIAL USED MADE IN THE USA

ALTOMARE PRECAST, INC.  
4300 Wissahickon Ave.  
Philadelphia, PA 19129  
Ph: 215-225-8800 Fax: 215-225-8900

TITLE:

6'Ø DECK

PROJ.:

CONTR:

DATE: