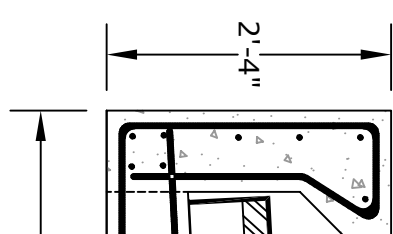
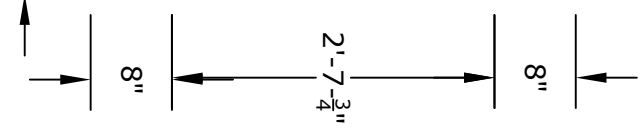
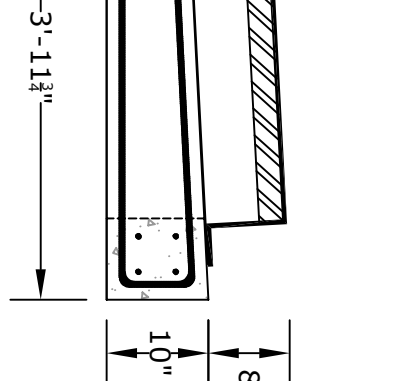


PLAN VIEW



SECTION A



- NOTES
1. CONCRETE - 4000 psi, AIR ENTRAINED
  2. REINFORCING STEEL - GRADE 60, ASTM A-615
  3. WELDED WIRE FABRIC - ASTM A-185, 4x4 W4&W4
  4. ALL MATERIAL USED MADE IN THE USA

**ALTOMARE PRECAST, INC.**  
 4300 Wissahickon Ave.  
 Philadelphia, PA 19129  
 Ph: 215-225-8800 Fax: 215-225-8900

**TITLE:**  
 Philadelphia  
 6' OMG Hood

**PROJECT:**  
**CONTR:**  
**DATE:**