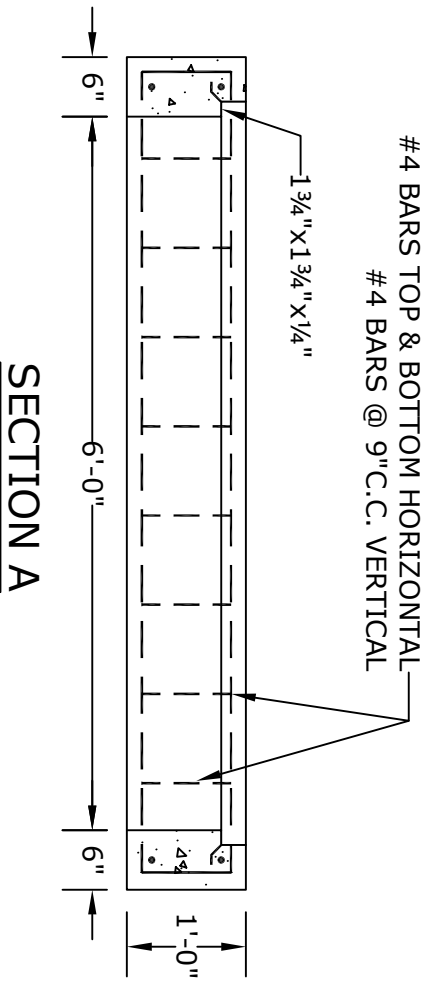
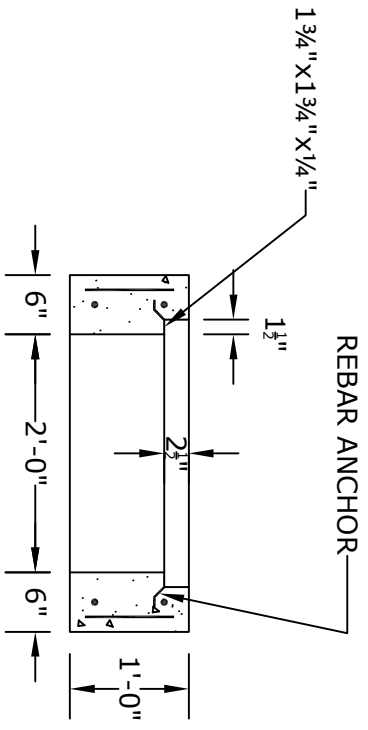


PLAN VIEW



SECTION A

- NOTES**
1. CONCRETE - 4000psi, AIR ENTRAINED
 2. REINFORCING STEEL - GRADE 60, ASTM A-615
 3. GRATE - SEE ACCOMPANYING SPEC. SHEET
 4. PER RC-45M AND PUB. 408
 5. ALL MATERIAL USED MADE IN THE USA



SECTION B

ALTOMARE PRECAST, INC.
 4300 Wissahickon Ave.
 Philadelphia, PA 19129
 Ph: 215-225-8800 Fax: 215-225-8900

TITLE:
 6' PennDOT RC-45
 Type "M" Top (12" Curb)
 w/ Fishplate

PROJECT:
 CONTR:
 DATE: