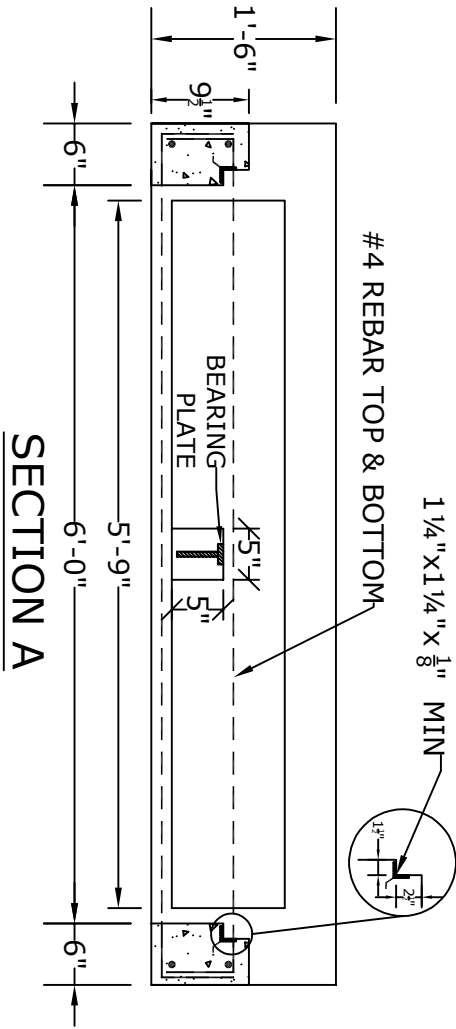
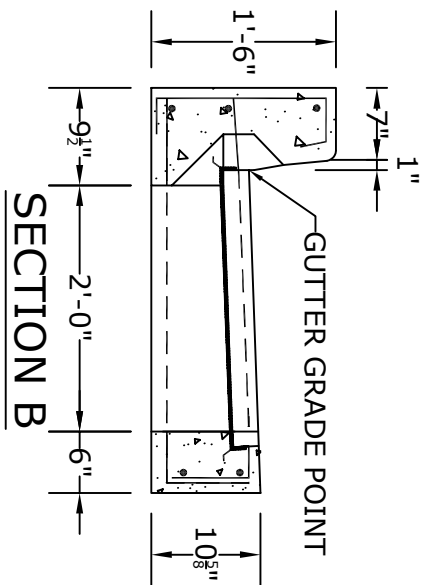


**PLAN VIEW**



**SECTION A**



**SECTION B**

- NOTES**
1. CONCRETE - 4000psi, AIR ENTRAINED
  2. REINFORCING STEEL - GRADE 60, ASTM A-615
  3. GRATE - SEE ACCOMPANYING SPEC. SHEET
  4. PER RC-34 AND PUB. 408
  5. ALL MATERIAL USED MADE IN THE USA

**ALTOMARE PRECAST, INC.**  
 4300 Wissahickon Ave.  
 Philadelphia, PA 19129  
 Ph: 215-225-8800 Fax: 215-225-8900

**TITLE:**  
 6' PennDOT RC-34  
 Type "C" Top (8" Curb)

PROJECT: Taco Bell  
 CONTR: Huebner  
 DATE: Dec. 19, 2018