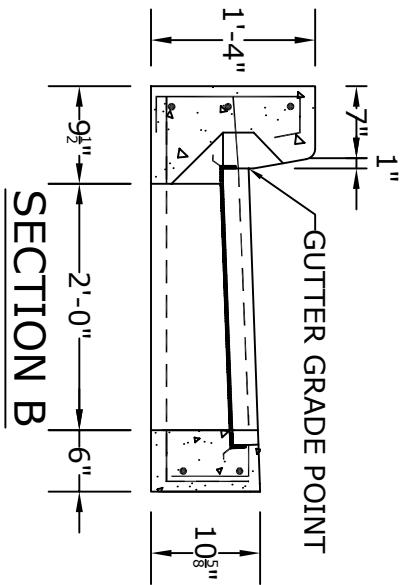
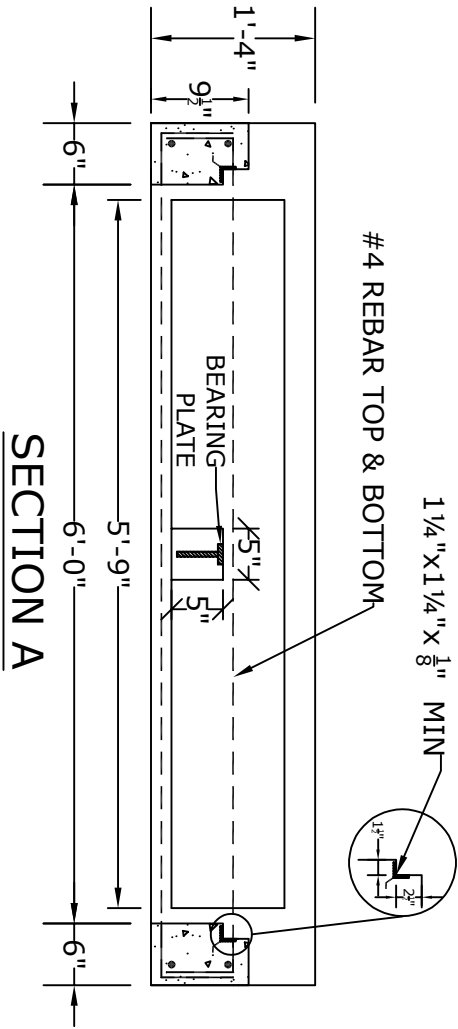


**PLAN VIEW**



**NOTES**

1. CONCRETE - 4000psi, AIR ENTRAINED
2. REINFORCING STEEL - GRADE 60, ASTM A-615
3. GRATE - SEE ACCOMPANYING SPEC. SHEET
4. PER RC-34 AND PUB. 408
5. ALL MATERIAL USED MADE IN THE USA

**ALTOMARE PRECAST, INC.**  
 4300 Wissahickon Ave.  
 Philadelphia, PA 19129  
 Ph: 215-225-8800 Fax: 215-225-8900

**TITLE:**  
 6' PennDOT RC-34  
 Type "C" Top (6" Curb)

**PROJECT:** Taco Bell  
**CONTR:** Huebner  
**DATE:** Dec. 19, 2018