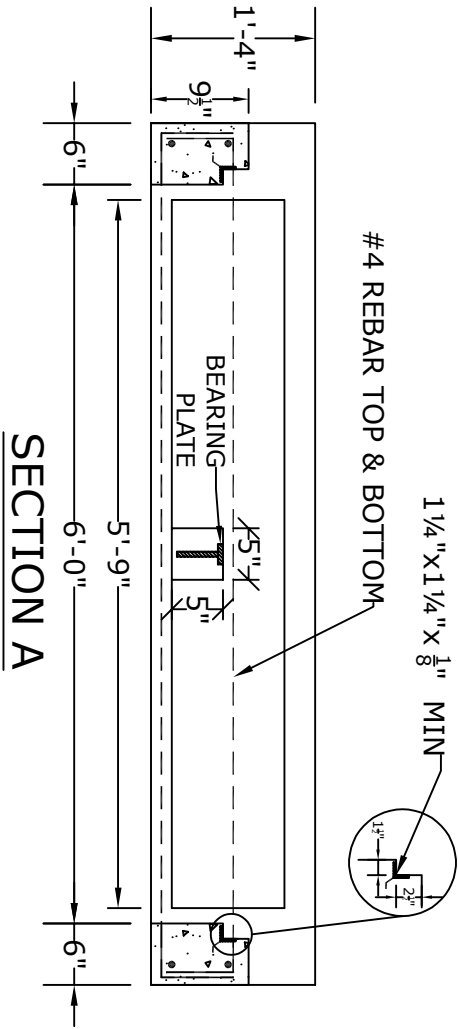
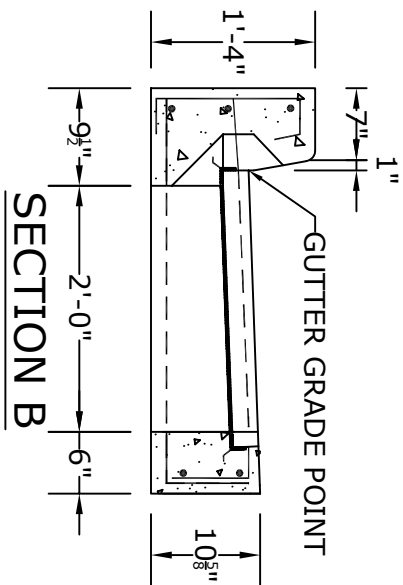


PLAN VIEW



SECTION A

- NOTES**
1. CONCRETE - 4000psi, AIR ENTRAINED
 2. REINFORCING STEEL - GRADE 60, ASTM A-615
 3. GRATE - SEE ACCOMPANYING SPEC. SHEET
 4. PER RC-34 AND PUB. 408
 5. ALL MATERIAL USED MADE IN THE USA



SECTION B

ALTOMARE PRECAST, INC.
 4300 Wissahickon Ave.
 Philadelphia, PA 19129
 Ph: 215-225-8800 Fax: 215-225-8900

TITLE:
 6' PennDOT RC-34
 Type "C" Top (6" Curb)
 w/ Fishplate

PROJECT: Taco Bell
CONTR: Huebner
DATE: Dec. 19, 2018