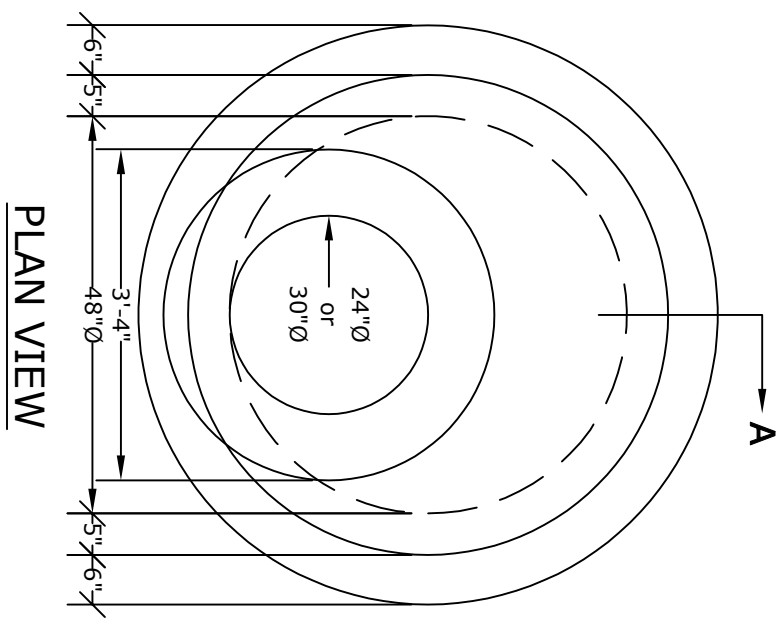


**SECTION A**

- NOTES**
1. CONCRETE - 4000psi, AIR ENTRAINED
  2. REINFORCING STEEL - GRADE 60, ASTM A-615
  3. WELDED WIRE FABRIC - 3x12xw3/w2 ASTM A-185
  4. LADDER RUNGS - COPOLYMER POLYPROPYLENE PLASTIC w/1/2" REBAR, GRADE 60
  5. MATERIAL AND CONSTRUCTION SHALL COMPLY WITH PENNDOT PUB. 408, 72, RC39, & A.S.T.M. C478, C890, C913, C1443 and C1557
  6. FRAME AND COVER - SEE ACCOMPANYING SPEC. SHEET
  7. ALL MATERIAL USED MADE IN THE USA



**PLAN VIEW**

**ALTOMARE PRECAST, INC.**  
 4300 Wissahickon Ave.  
 Philadelphia, PA 19129  
 Ph: 215-225-8800 Fax: 215-225-8900

**TITLE:** 4'Ø  
**Storm Manhole**

**PROJECT:**  
**CONTR:**  
**DATE:**