

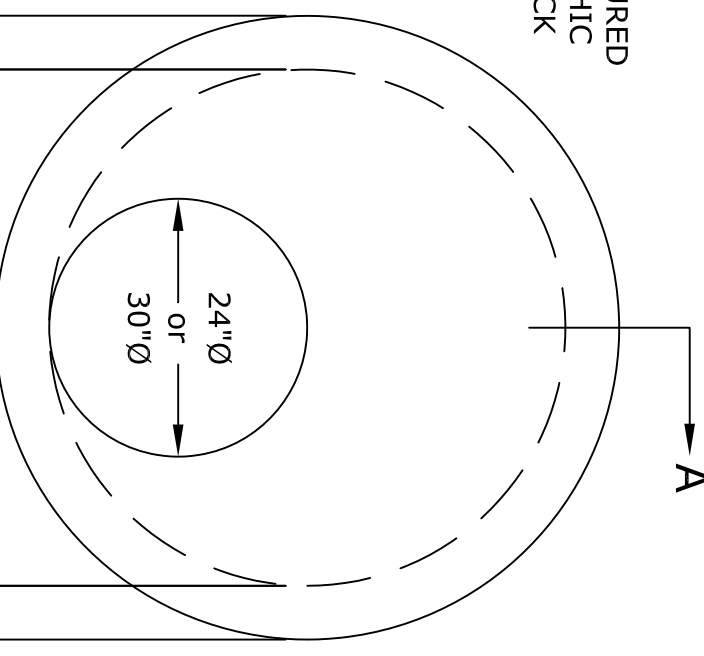
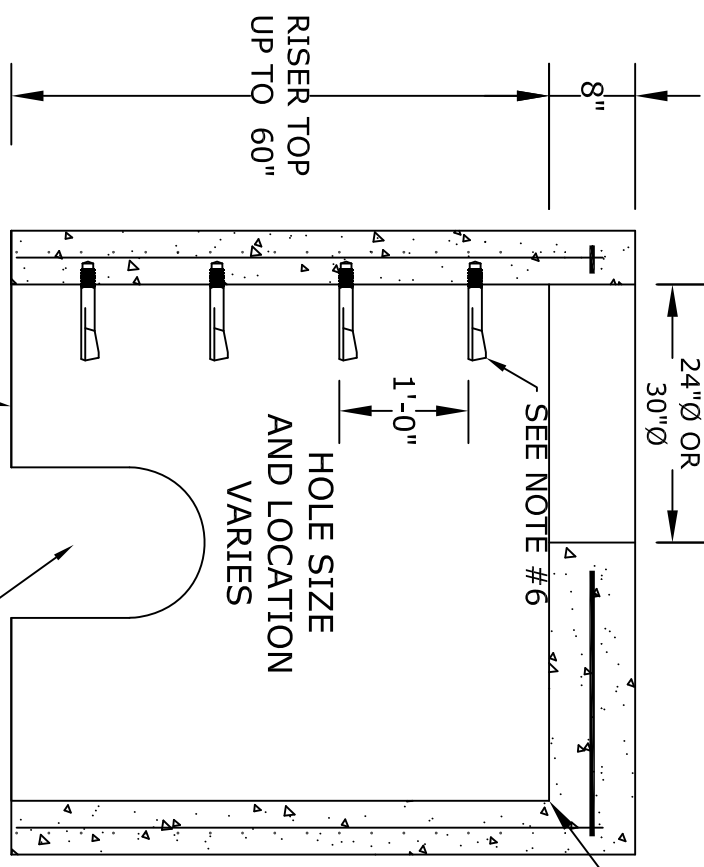
# NOTES

1. CONCRETE - 4000psi, AIR ENTRAINED
2. REINFORCING STEEL - GRADE 60, ASTM A-615
3. WELDED WIRE FABRIC - 3x12xw3/w2 ASTM A-185
4. LADDER RUNGS - COPOLYMER POLYPROPYLENE PLASTIC w/1/2" REBAR, GRADE 60
5. MATERIAL AND CONSTRUCTION SHALL COMPLY WITH PENNDOT PUB. 408, 72, RC39, & A.S.T.M. C478, C890, C913, C1443 and C1557
6. FRAME AND COVER - SEE ACCOMPANYING SPEC. SHEET
7. ALL MATERIAL USED MADE IN THE USA

## SECTION A

DOGHOUSE STYLE  
OPENING; MAX  
WIDTH 38"

## PLAN VIEW



ALTOMARE PRECAST, INC.  
4300 Wissahickon Ave.  
Philadelphia, PA 19129  
Ph: 215-225-8800 Fax: 215-225-8900

TITLE:  
**4'Ø Doghouse  
Manhole**

PROJECT:
CONTR:
DATE: