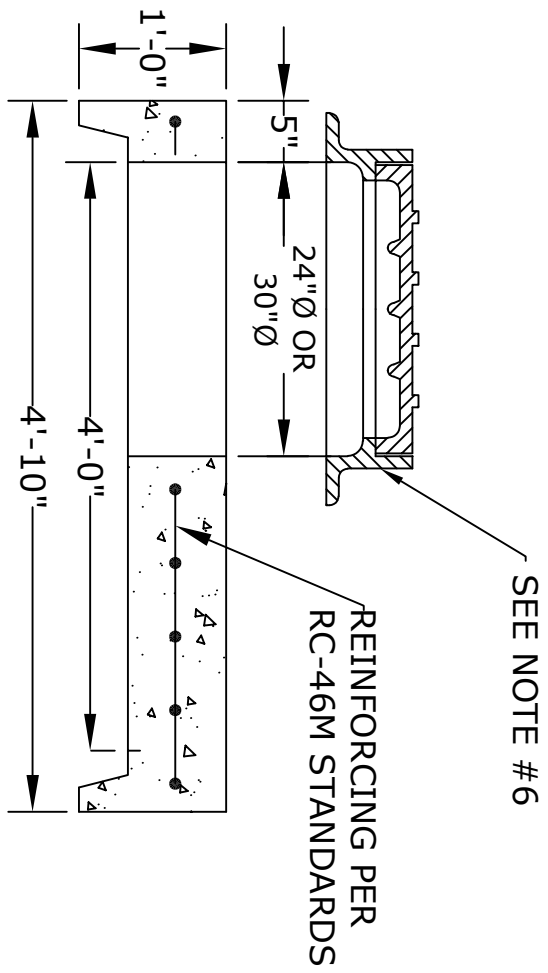
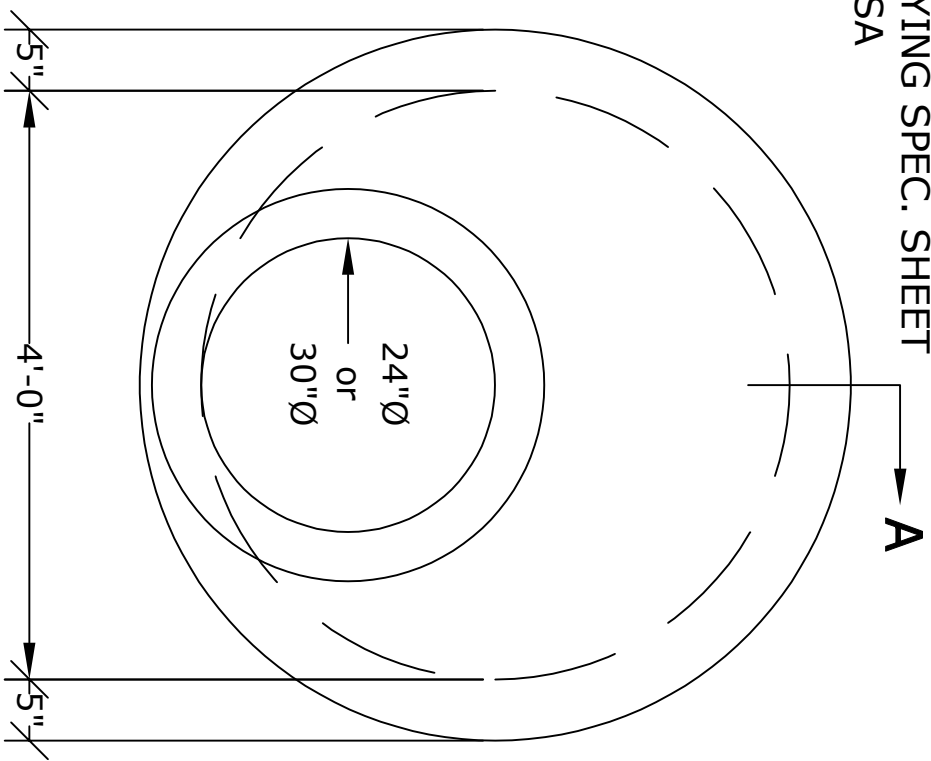


NOTES

1. CONCRETE - 4000psi, AIR ENTRAINED
2. REINFORCING STEEL - GRADE 60, ASTM A-615
- REINFORCING BASED ON PENNDOT RC-46M
3. MEETS PENNDOT RC-46M SPECIFICATIONS PUB. 408 SECTION 714
4. WELDED WIRE FABRIC - 3x12xw3/w2 ASTM A-185
5. MATERIAL AND CONSTRUCTION SHALL COMPLY WITH PENNDOT PUB. 408, 72, RC39, & A.S.T.M. C478, C890, C913, C1443 and C1557
6. FRAME AND COVER - SEE ACCOMPANYING SPEC. SHEET
7. ALL MATERIAL USED MADE IN THE USA



SECTION A



PLAN VIEW

Altomare Precast, Inc.
4300 Wissahickon Avenue
Philadelphia, PA 19129
PH: 215-225-8800 FAX: 215-225-8900

TITLE:
4'Ø Deck

PROJECT:
CONTR:
DATE: