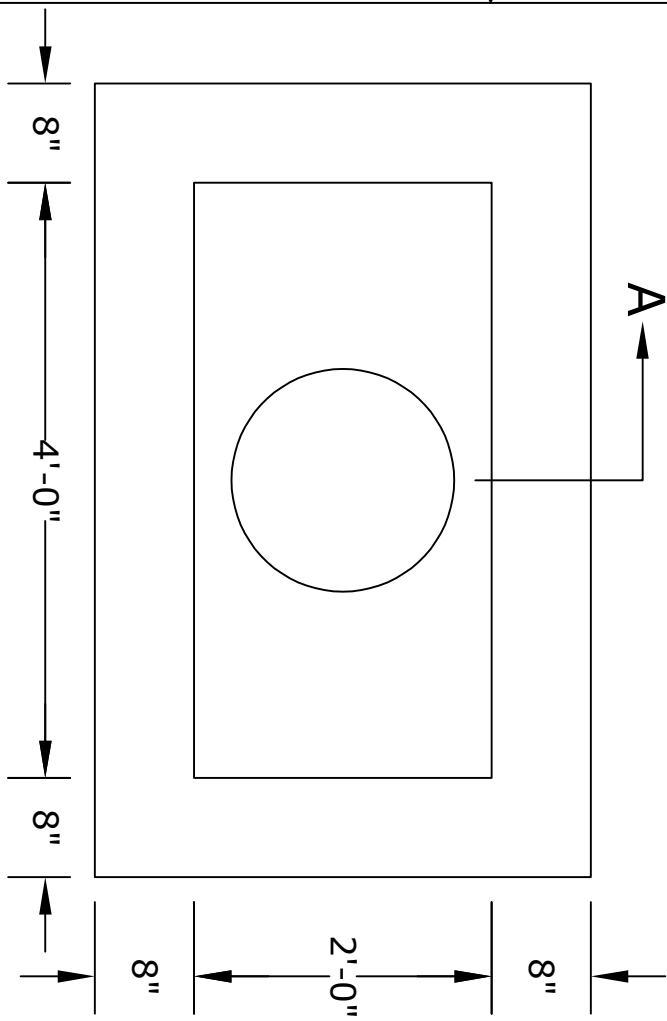


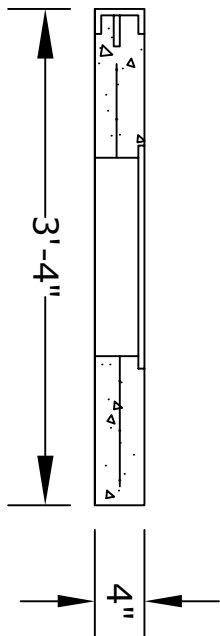
**NOTES**

1. CONCRETE- 4000 psi, AIR ENTRAINED
2. REINFORCING STEEL- GRADE 60, ASTM A-615
3. WELDED WIRE FABRIC- ASTM A-185, 4X4 W4&W4
4. FRAME AND COVER- SEE ACCOMPANYING SPEC. SHEET
5. ALL MATERIAL USED MADE IN THE USA

**PLAN VIEW**



**SECTION A**



**ALTOMARE PRECAST, INC.**  
 4300 Wissahickon Ave.  
 Philadelphia, PA 19129  
 Ph: 215-225-8800 Fax: 215-225-8900

**TITLE:**  
 Philadelphia  
 4' City Top w/ Deck

PROJECT:  
 CONTR:  
 DATE: