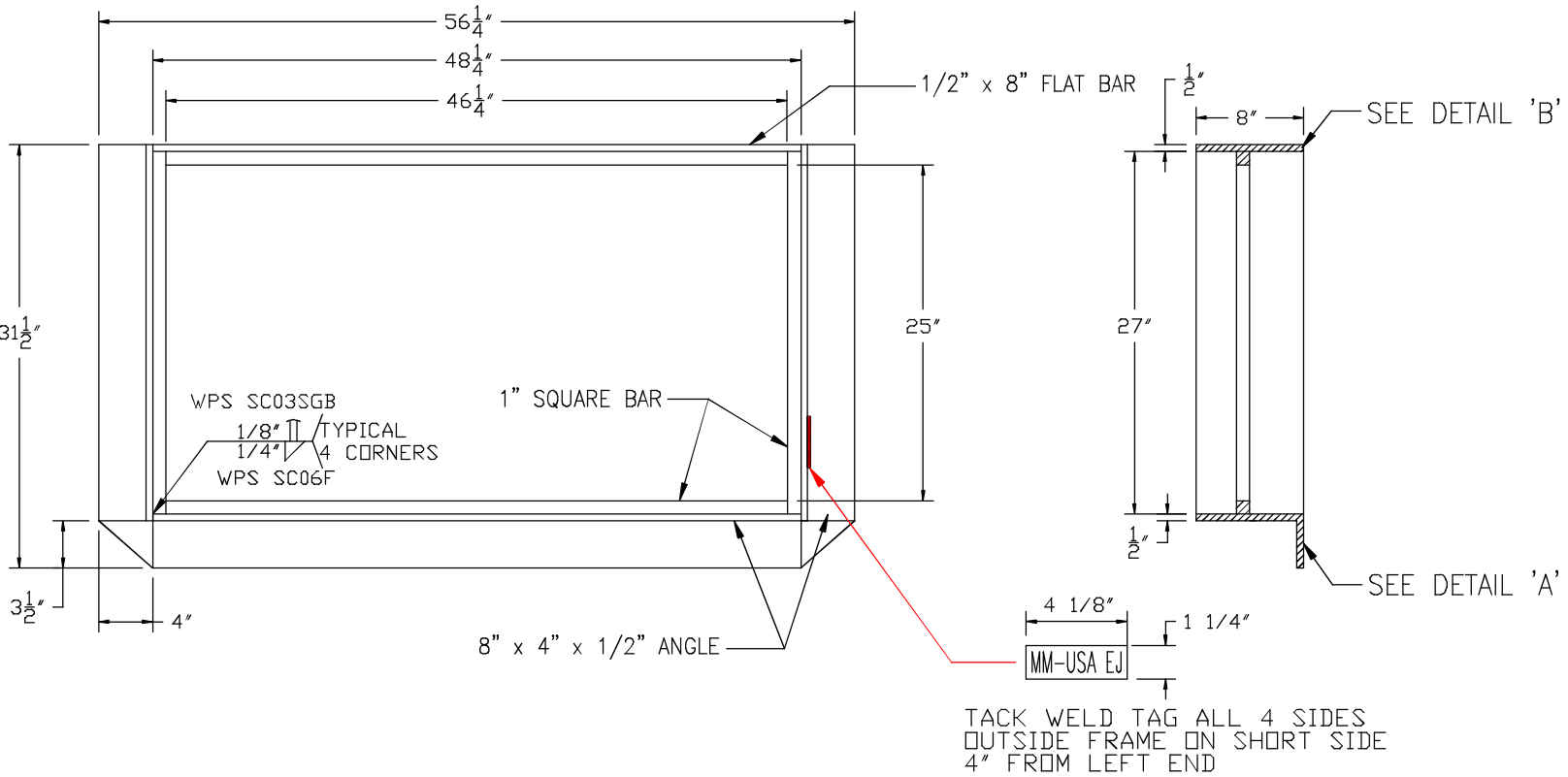
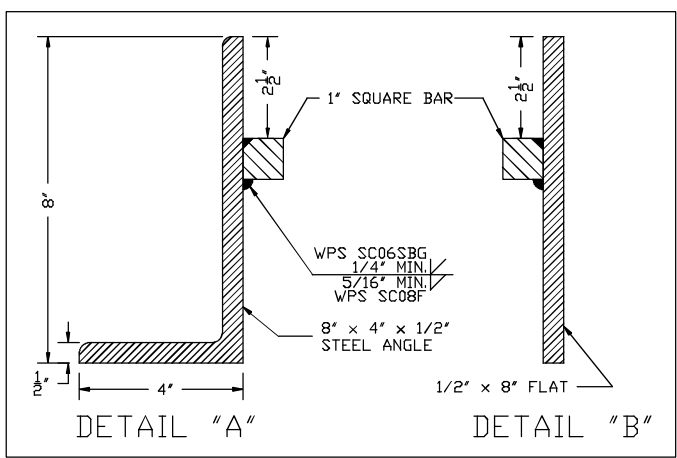


Pennsylvania DOT C Frame



- Product Number**
PACF
- Design Features**
- Materials
See Notes
 - Design Load
Per RC-45M
 - Open Area
 - Coating
Bituminous
 - √ Designates Machined Surface
- Certification**
- WT 265lbs
 -
 -
 - Country of Origin: USA



- NOTES:
- 1.) ALL MATERIAL SHALL BE HOT ROLLED STEEL CONFORMING TO THE REQUIREMENTS OF ASTM A709 GR50 (A572).
 - 2.) ALL WELDING SHALL BE IN CONFORMANCE WITH THE REQUIREMENTS OF PUBLICATION 408, SECTION 1105.03(m).
 - 3.) COAT FRAMES WITH AN APPROVED BITUMINOUS PAINT, IN ACCORDANCE WITH PUBLICATION 408 SECTION 605.2(f).
 - 4.) ENTIRE FRAME SHALL CONFORM TO THE REQUIREMENTS OF PENNSYLVANIA DOT STANDARD RC-45M.

Drawing Revision
08/06/2010 Designer: ARO
09/23/2014 Revised By: DM

Disclaimer
Weights (lbs/kg), dimensions (inches/mm) and drawings provided for your guidance. We reserve the right to modify specifications without prior notice.
CONFIDENTIAL: This drawing is the property of EJ Group, Inc. and embodies confidential information, registered marks, patents, trade secret information, and/or know-how that is the property of EJ Group, Inc. Copyright © 2011 EJ Group, Inc. All rights reserved.

Contact
800 626 4653
ejco.com