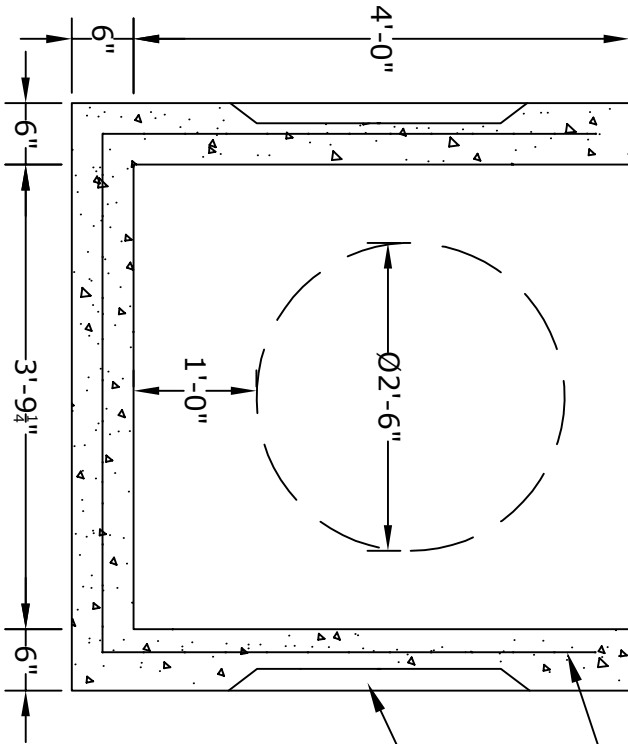
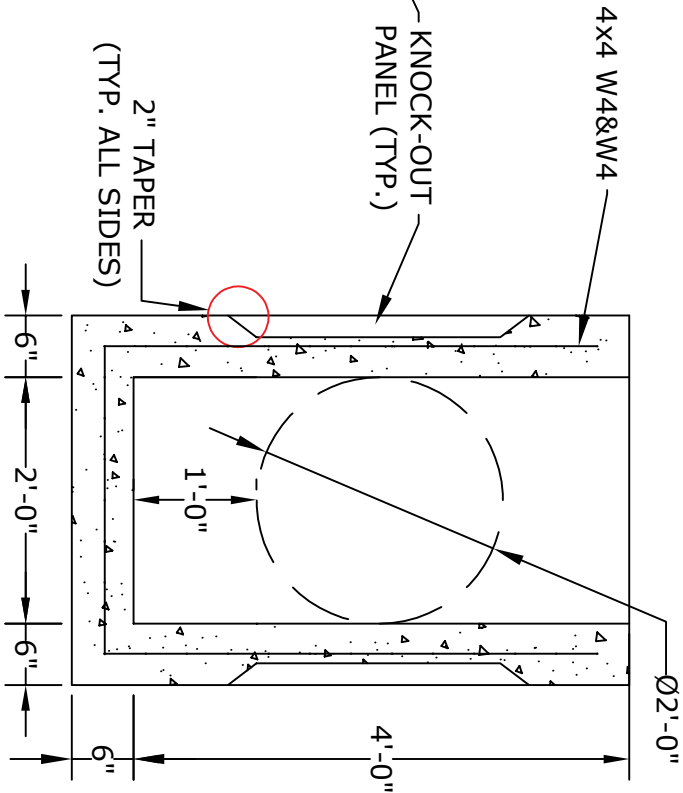


PLAN VIEW



SECTION A



SECTION B

REPPRESSED WALLS, 3" TYPICAL. TO BE FIELD CORED

NOTES

1. CONCRETE - 4000psi, AIR ENTRAINED
2. HS-25 LIVE LOAD RATED
3. WELDED WIRE FABRIC - 4X4 W4&W4
4. MATERIAL AND CONSTRUCTION CONFORM TO PENNDOT PUBLICATION 408, 72 AND RC-46
5. ALL MATERIAL USED MADE IN THE USA

Altomare Precast, Inc.

4300 Wissahickon Avenue
Philadelphia, PA 19129

PH: 215-225-8800 FAX: 215-225-8900

TITLE:

**2x4x4
Stock Box**

PROJECT:

CONTR:

DATE: