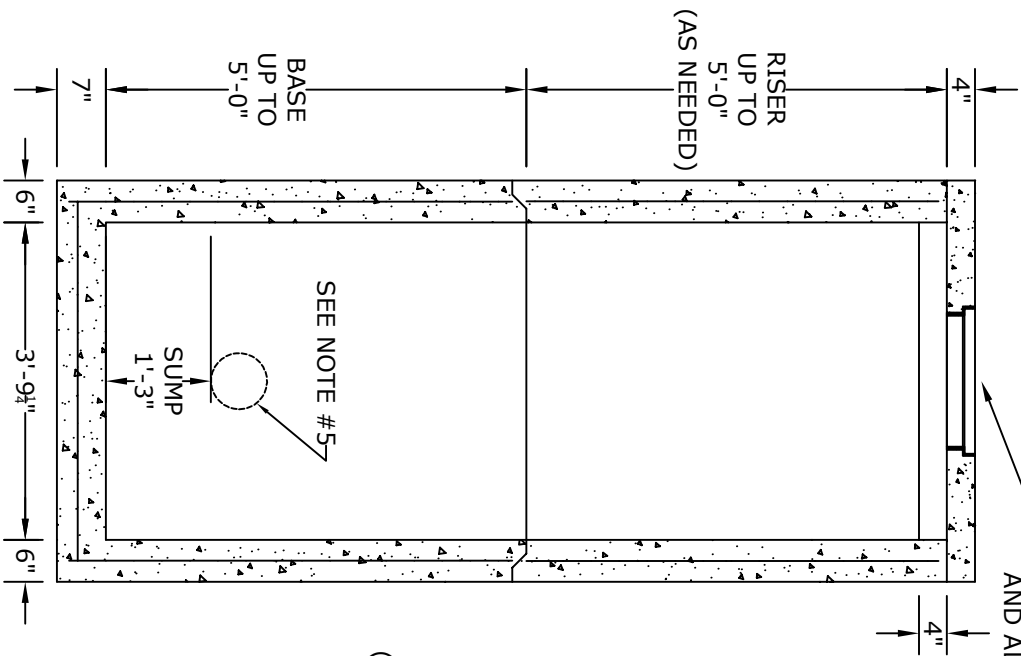


**PLAN VIEW**

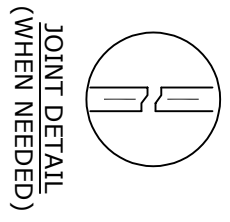
CUSTOM CITY TOP WITH CLEANOUT  
AND ALL WEATHER NOSING

**NOTES**

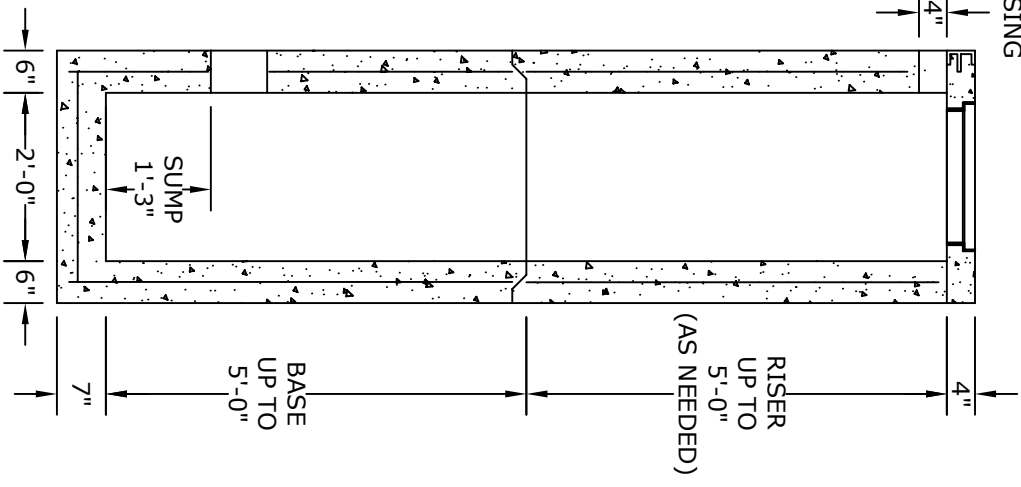
1. CONCRETE - 4000 psi, AIR ENTRAINED
2. REINFORCING STEEL - GRADE 60, ASTM A-615
3. WELDED WIRE FABRIC - ASTM A-185, 4x4 W48W4
4. INLET COMPONENTS - SEE ACCOMPANYING SPEC. SHEETS
5. FRAME AND GRATE - SEE ACCOMPANYING SPEC. SHEET
6. LOCATIONS OF PIPE OPENINGS AS REQUIRED
7. ALL MATERIAL USED MADE IN THE USA



**SECTION A**



**JOINT DETAIL  
(WHEN NEEDED)**



**SECTION B**

**ALTOMARE PRECAST, INC.**  
4300 Wissahickon Ave.  
Philadelphia, PA 19129  
Ph: 215-225-8800 Fax: 215-225-8900

**TITLE:**  
Philadelphia  
2x4 Green City Inlet

PROJECT:
CONTR:
DATE: