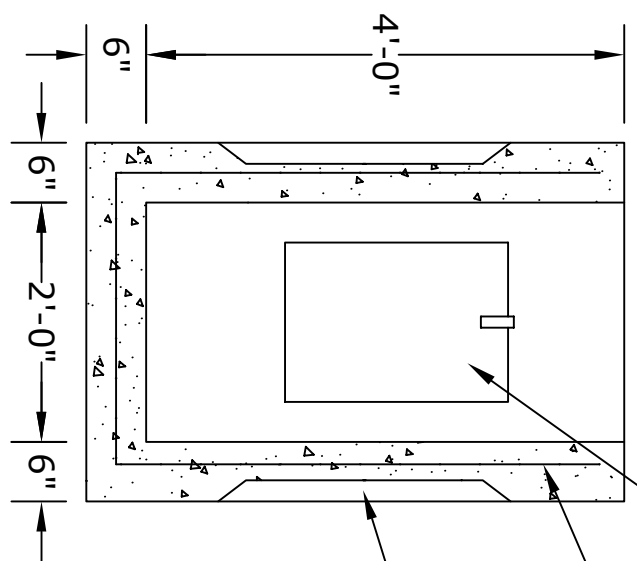
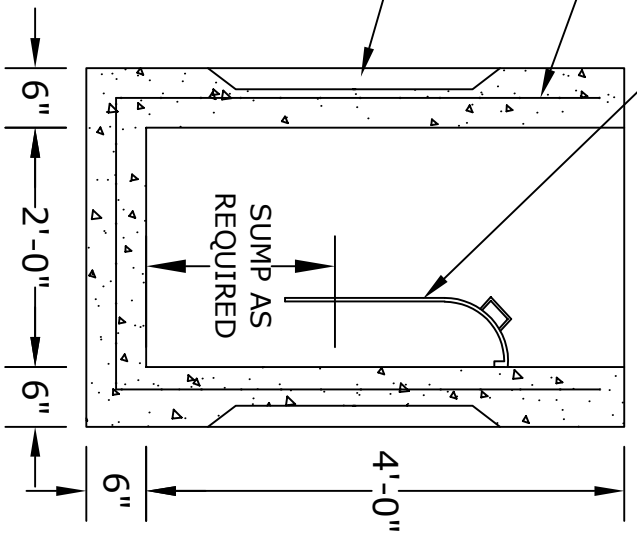


**PLAN VIEW**



**SECTION A**



**SECTION B**

**NOTES**

1. CONCRETE - 4000 psi, AIR ENTRAINED
2. WELDED WIRE FABRIC - 4X4 W4&W4, ASTM-A185
3. CONFORMS TO PENNDOT PUBLICATION 408, 72
4. LOCATIONS OF PIPE OPENINGS AS REQUIRED
5. ALL MATERIAL USED MADE IN THE USA
6. TRAP/SNOUT - SEE ACCOMPANYING SPEC. SHEET

**ALTOMARE PRECAST, INC.**  
 4300 Wissahickon Ave.  
 Philadelphia, PA 19129  
 Ph: 215-225-8800 Fax: 215-225-8900

**TITLE:**  
 2' x 2' x 4'  
 Stock Box w/ Trap

PROJECT:
CONTR:
DATE: