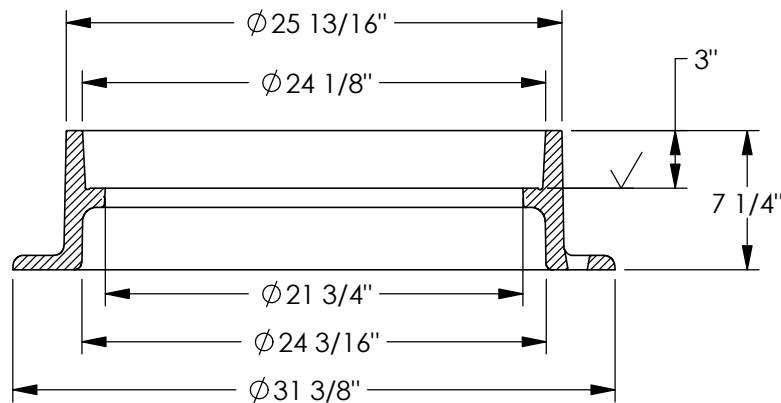
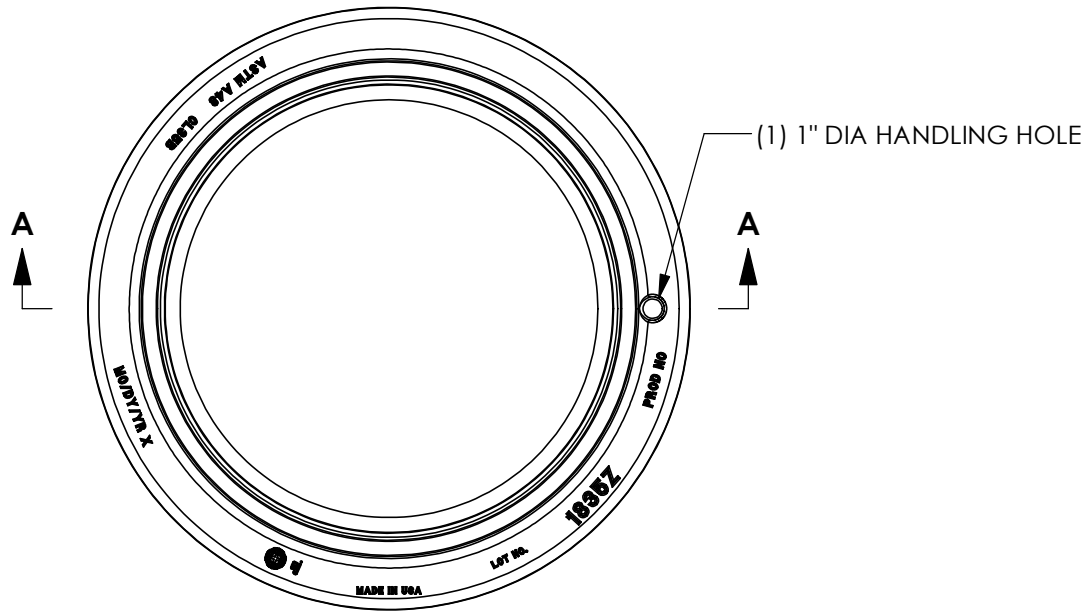


1835Z Frame



SECTION A-A

Product Number

00183511

Design Features

- Materials
Gray Iron (CL35B)
- Design Load
Airport Extra Heavy Duty
- Open Area
n/a
- Coating
Undipped
- √ Designates Machined Surface

Certification

- ASTM A48
-
-
- Country of Origin: USA

Drawing Revision

3/24/2004 Designer: DEW
8/6/2014 Revised By: DAE

Disclaimer

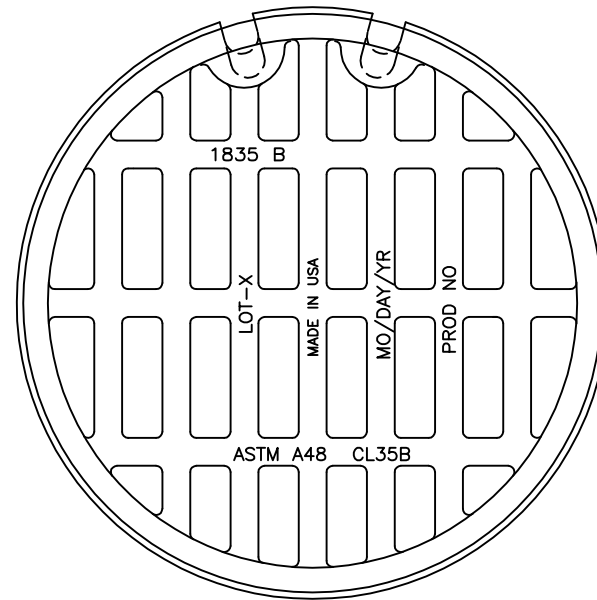
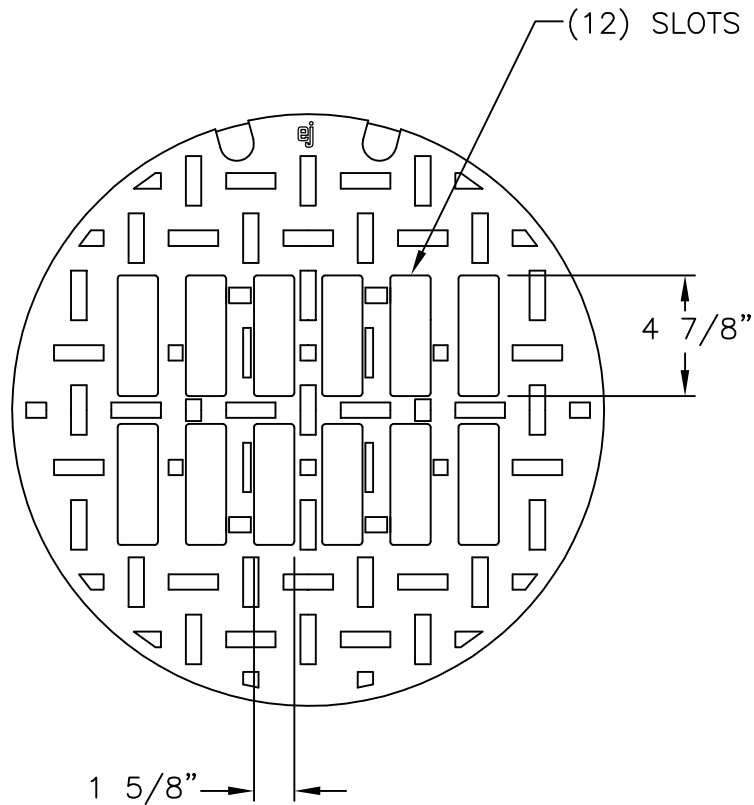
Weights (lbs/kg), dimensions (inches/mm) and drawings provided for your guidance. We reserve the right to modify specifications without prior notice.

CONFIDENTIAL: This drawing is the property of EJ Group, Inc. and embodies confidential information, registered marks, patents, trade secret information, and/or know how that is the property of EJ Group, Inc. Copyright © 2012 EJ Group, Inc. All rights reserved.

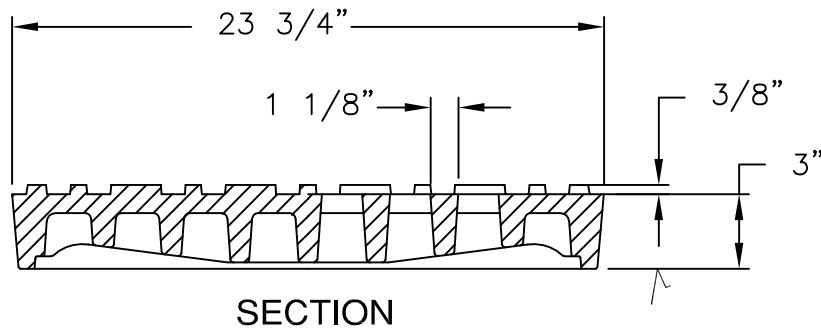
Contact

800 626 4653
ejco.com

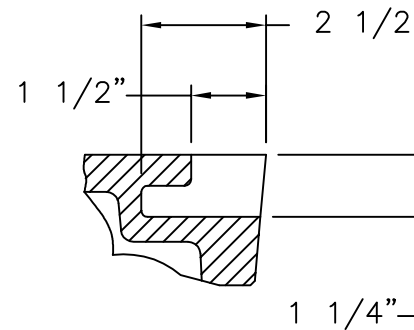
1835B Grate



BOTTOM VIEW



SECTION



PICKHOLE DETAIL

Product Number

00183529

Design Features

- Materials
Gray Iron (CL35B)
- Design Load
Heavy Duty
- Open Area
96 sq in
- Coating
Undipped
- √ Designates Machined Surface

Certification

- ASTM A48
-
-
- Country of Origin: USA

Drawing Revision

5/16/2009 Designer: DEW
8/6/2013 Revised By: DAE

Disclaimer

Weights (lbs./kg) dimensions (inches/mm) and drawings provided for your guidance. We reserve the right to modify specifications without prior notice.

CONFIDENTIAL: This drawing is the property of EJ GROUP, Inc., and embodies confidential information, registered marks, patents, trade secret information, and/or know how that is the property of EJ GROUP, Inc. Copyright © 2012 EJ GROUP, Inc. All rights reserved.

Contact

800 626 4653
ejco.com