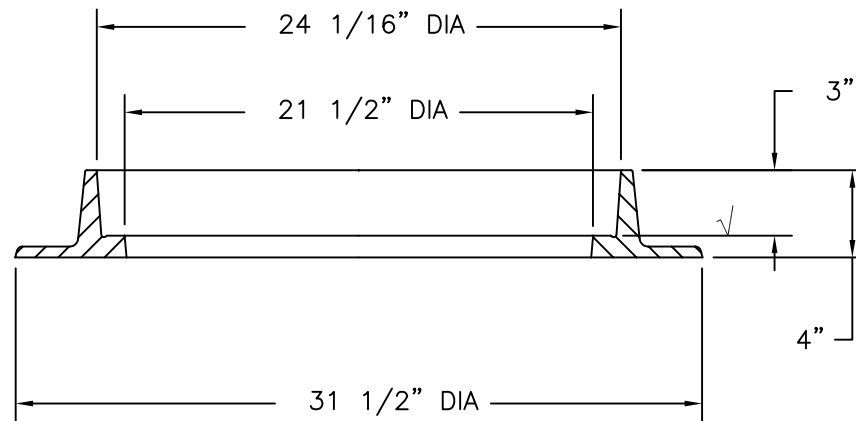
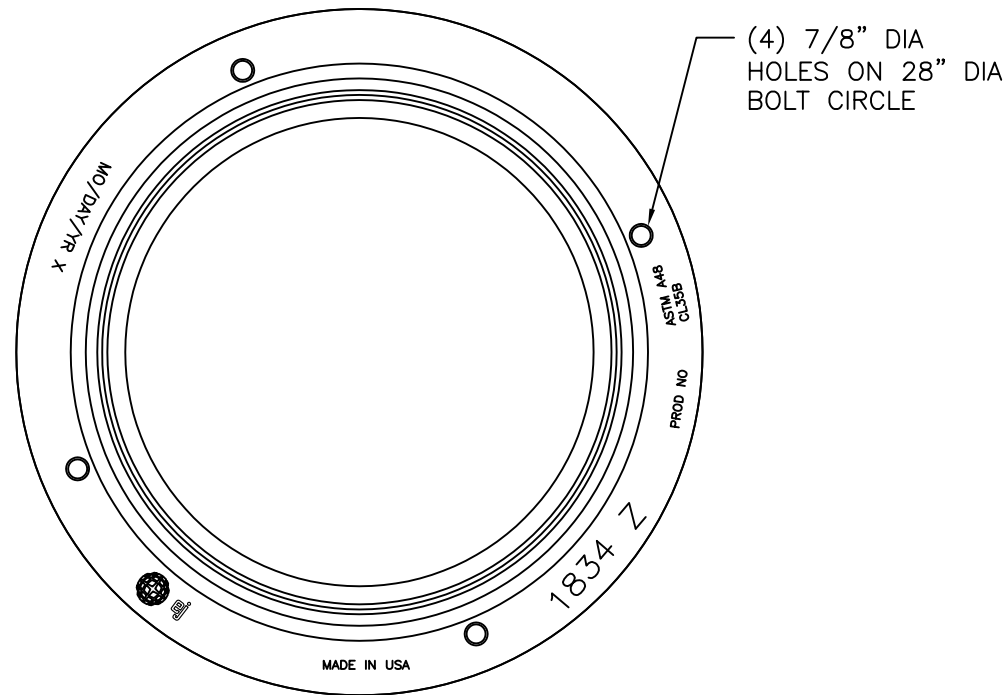


# 1834Z Frame



**SECTION**

**Product Number**

00183411

**Design Features**

- Materials  
Gray Iron (CL35B)
- Design Load  
Heavy Duty
- Open Area  
n/a
- Coating  
Undipped
- √ Designates Machined Surface

**Certification**

- ASTM A48
- 
- 
- Country of Origin:USA

**Drawing Revision**

9/14/1999 Designer: DEW  
9/27/2013 Revised By: DAE

**Disclaimer**

Weights (lbs./kg) dimensions (inches/mm) and drawings provided for your guidance. We reserve the right to modify specifications without prior notice.

CONFIDENTIAL: This drawing is the property of EJ GROUP, Inc., and embodies confidential information, registered marks, patents, trade secret information, and/or know how that is the property of EJ GROUP, Inc. Copyright © 2012 EJ GROUP, Inc. All rights reserved.

**Contact**

800 626 4653  
ejco.com