

**Notes**

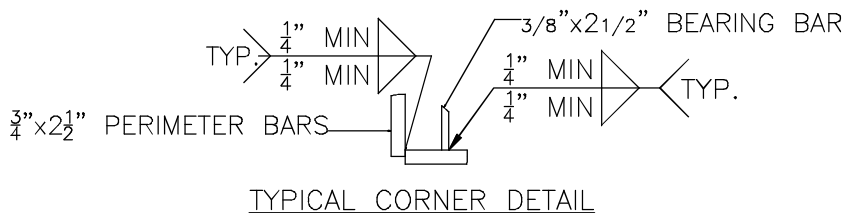
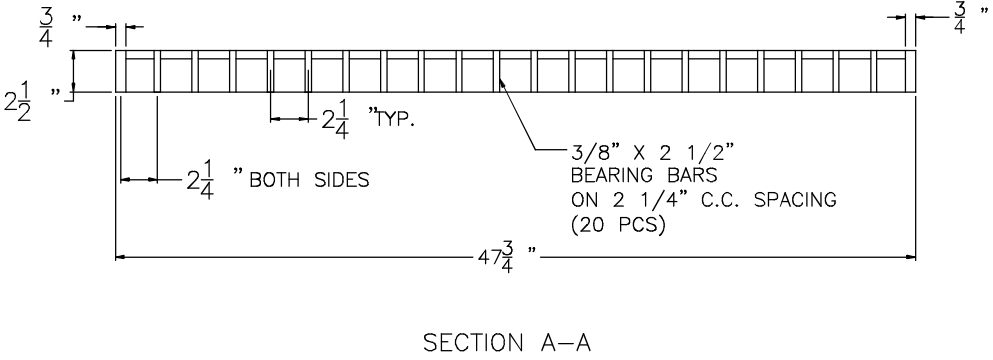
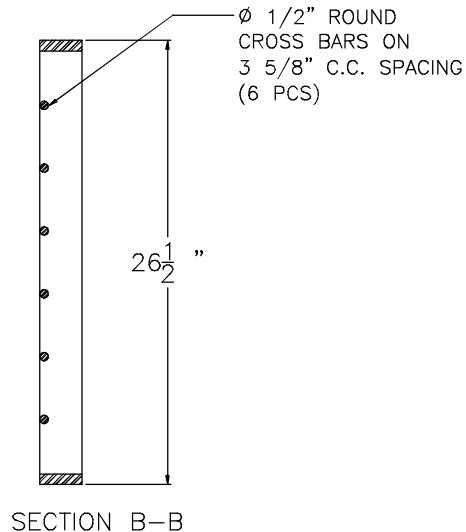
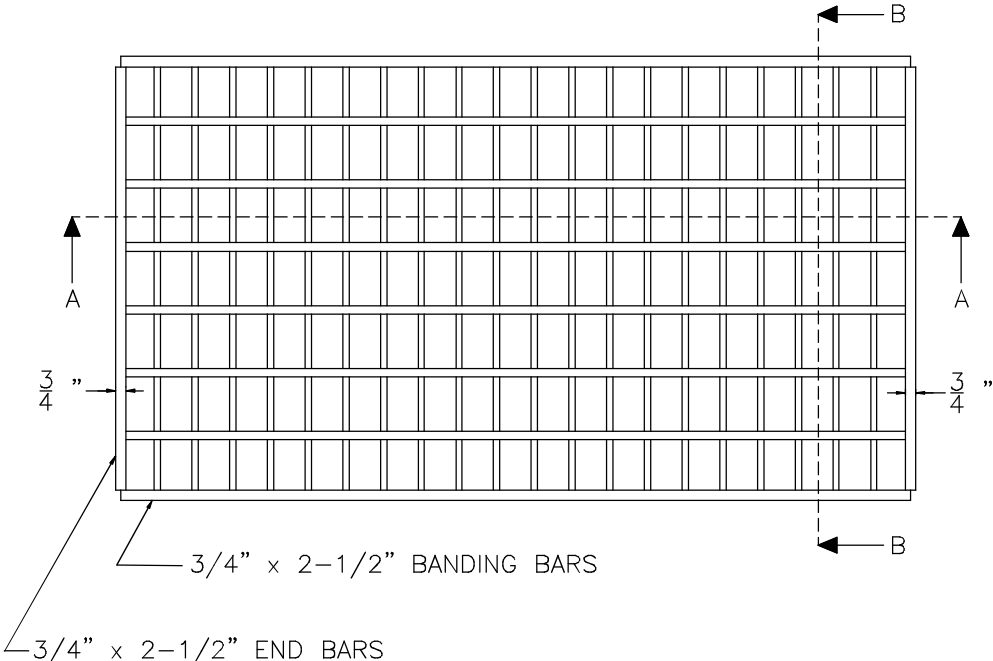
1. CONCRETE- 4000psi, AIR ENTRAINED
2. REINFORCING STEEL- GRADE 60, ASTM A-615
3. WELDED WIRE FABRIC- ASTM A-185
4. FRAME AND COVER- SEE ACCOMPANYING SPEC. SHEET

**Altomare Precast, Inc.**  
 4300 Wissahickon Avenue  
 Philadelphia, PA 19129  
 PH: 215-225-8800 FAX: 215-225-8900

**TITLE:**  
 24" TRENCH DRAIN

**PROJECT:**  
**CONTR:**  
**DATE:**

# Steel Bike Grate 26-1/2" X 47-3/4" Painted



**Product Number**  
**PABIKEGRSC**  
**Design Features**  
 -Materials  
 See Notes  
 -Design Load  
 See Notes  
 -Open Area  
 867 Sq. In.  
 -Coating  
 Painted

**Certification**  
 -  
 - Est. Weight = 214 lbs  
 - Additional Certification  
 - Country of Origin: USA

- NOTES:
- 1.) ALL 3/8" x 2 1/2" BEARING BARS SHALL CONFORM TO ASTM-A529 GR.50 STEEL.
  - 2.) H-20 WHEEL LOADS PER AASHTO H-20 "STANDARD SPECIFICATIONS FOR HIGHWAY BRIDGES" PER SECTION 3.27.3 OPEN FLOORS. (SPAN ESTIMATED AT 24-1/2").
  - 3.) CROSS BARS SHALL CONFORM TO ASTM-A36.
  - 4.) ALL 5/8" x 2-1/2" BARS SHALL CONFORM TO ASTM A36.
  - 5.) ENTIRE GRATE SHALL BE PAINTED BLACK PER PENNDOT SPECIFICATIONS.

**Drawing Revision**  
 10/08/04 Designer: CJC  
 09/17/2013 Revised By: MAW

**Disclaimer**  
 Weights (lbs/kg), dimensions (inches/mm) and drawings provided for your guidance. We reserve the right to modify specifications without prior notice.  
 CONFIDENTIAL: This drawing is the property of EJ Group, Inc. and embodies confidential information, registered marks, patents, trade secret information, and/or know-how that is the property of EJ Group, Inc. Copyright © 2011 EJ Group, Inc. All rights reserved.

**Contact**  
 800 626 4653  
 ejco.com