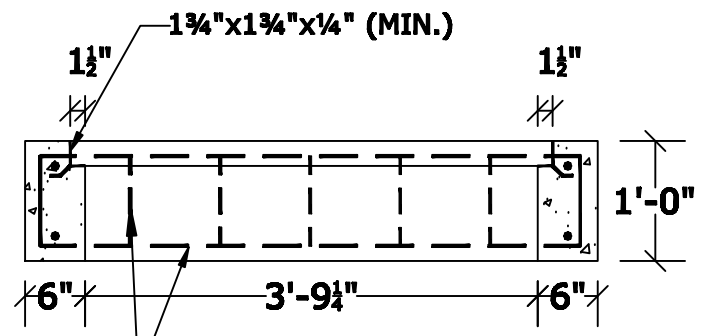
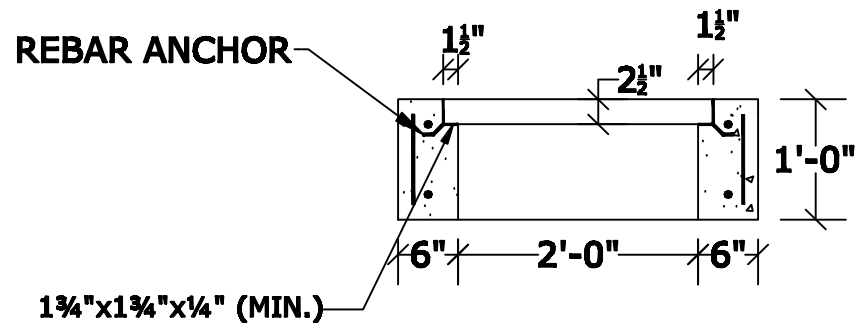


PLAN VIEW



SECTION B-B

#4 BARS TOP & BOTTOM HORIZONTAL
 #4 BARS @ 9" C.C. VERTICAL



SECTION A-A

NOTES

1. CONCRETE- 4000psi, AIR ENTRAINED
2. REINFORCING STEEL- GRADE 60, ASTM A-615
3. MEETS PENNDOT PUB. 408, SECT 714

PROJECT:	
CONTR:	
DATE:	

TYPE "M" TOP
 RC-45 Standard

ALTOMARE PRECAST, INC.
 4300 Wissahickon Ave.
 Philadelphia, PA 19129
 Ph: 215-225-8900 Fax: 215-225-8900