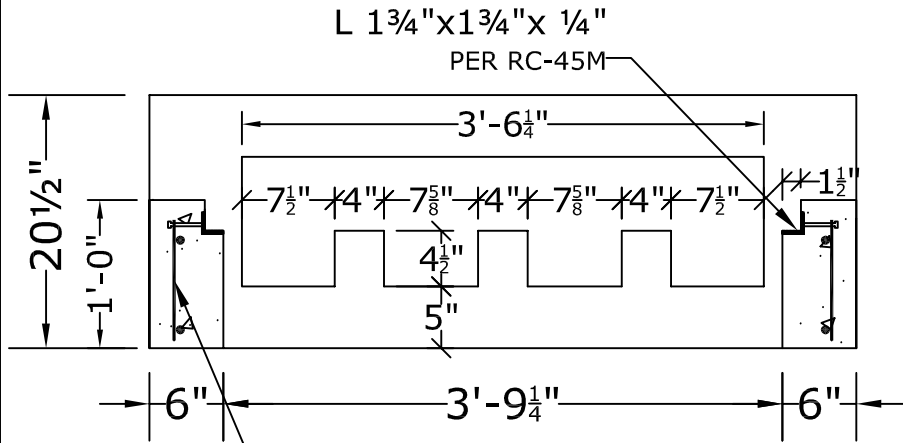


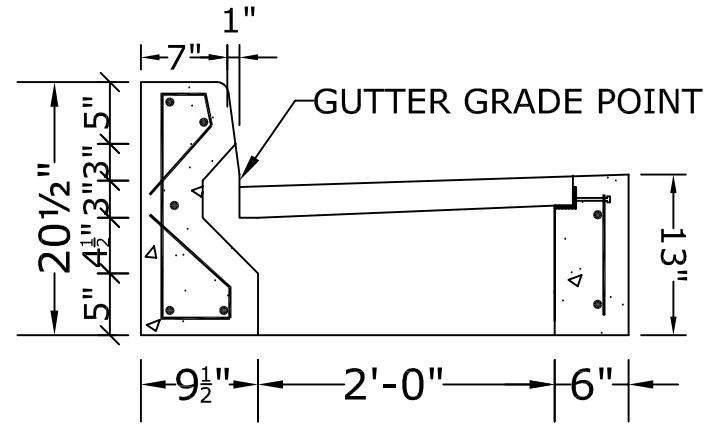
## NOTES

1. CONCRETE- 4000psi, AIR ENTRAINED
2. REINFORCING STEEL- GRADE 60, ASTM A-615
3. GRATE- SEE ACCOMPANYING SPEC. SHEET
4. PER RC-45M AND PUB. 408



**SECTION A**

REBAR PER RC-45M



**SECTION B**

PROJECT:

TITLE: PennDOT  
Type "C" Top Unit

ALDOMARE PRECAST, INC.  
4300 Wissahickon Ave.  
Philadelphia, PA 19129  
Ph: 215-225-8800 Fax: 215-225-8900