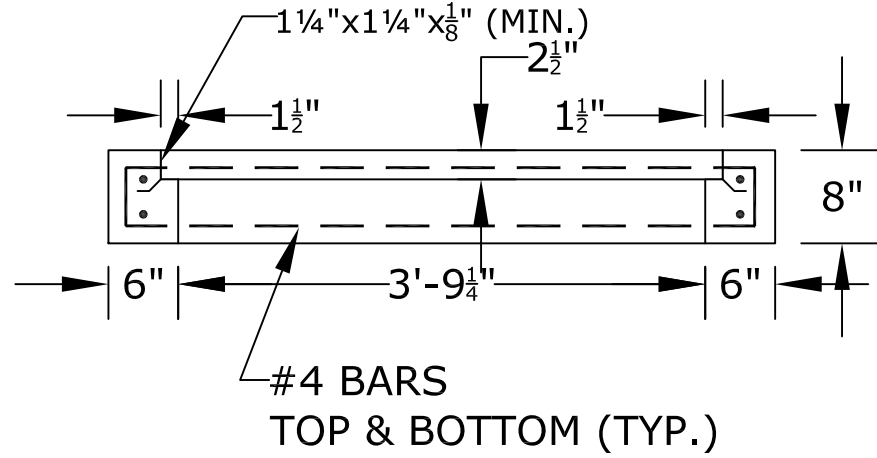
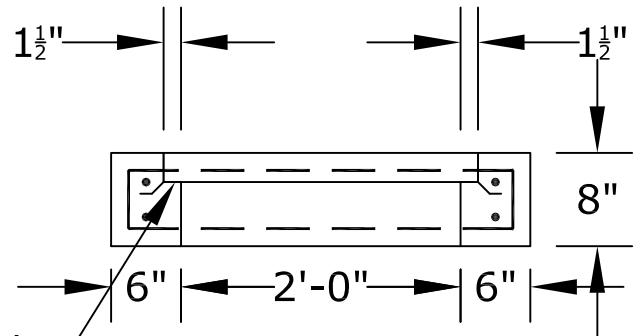


PLAN VIEW



SECTION B-B



SECTION A-A

NOTES

1. CONCRETE- 4000psi, AIR ENTRAINED
2. REINFORCING STEEL- GRADE 60, ASTM A-615
3. MEETS PENNDOT PUB. 408, SECT 714
4. RATED FOR H-20 LOADING

PROJECT:	CONTR:	DATE:

TYPE "M" TOP

ALTOMARE PRECAST, INC.
 4300 Wissahickon Ave.
 Philadelphia, PA 19129
 Ph: 215-225-8800 Fax: 215-225-8900