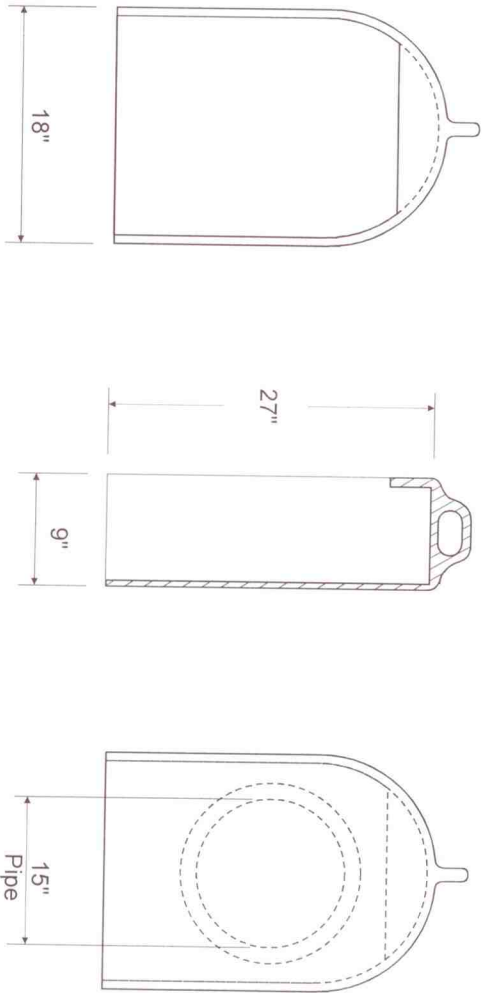


Standard Cast Iron Hood and Hanger Hooks

2564



Cast Iron Hood



Stainless Steel Hanger Hook (2 Req'd)

Notes:

1. Material: HOOD - Gray Cast Iron ASTM A48-83, Class 30B,
HANGER HOOKS - 18-8 Stainless Steel Type 303, ASTM A582;
2. Supplied without surface coating.

BRIDGESTATE FOUNDRY COMPANY	
Berlin, NJ 08009	
Phone: 856-767-0400	FAX: 856-767-4320
SCALE: N.T.S.	APPROVED BY:
DATE:	DRAWN BY: D.L.
Standard Cast Iron Hood and Hanger Hooks	
Pattern Number: 2564	