

# 5954-15 TRAP

## PRODUCT NUMBER

00595475

## DESIGN FEATURES

### MATERIALS

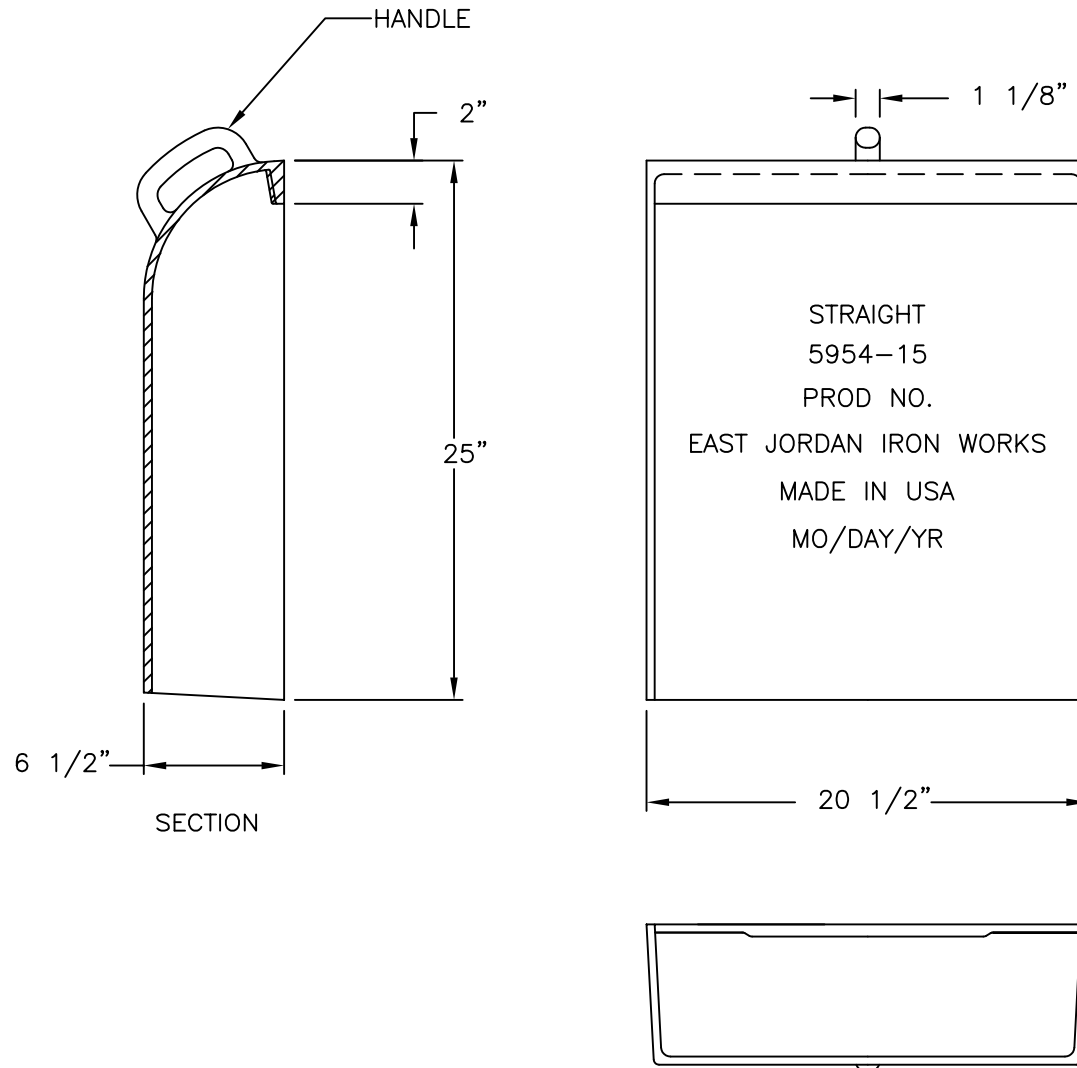
TRAP-GRAY IRON  
ASTM A48 CL35B

**DESIGN LOAD**  
HEAVY DUTY

**COATING**  
UNDIPPED

**OPEN AREA**  
N/A

√ **DESIGNATES MACHINED SURFACE**



Corporate  
Headquarters  
301 Spring Street  
PO Box 439  
East Jordan, MI  
49727-0439  
800.874.4100



Call Today for  
More Information

800.626.4653

**EJIW EAST JORDAN**  
IRON WORKS EST. 1883  
WE COVER YOUR INFRASTRUCTURE

www.ejiw.com  
MADE IN THE USA

## DRAWING DETAILS

ORIGINAL DRAWING: SBB 12/01/98

REVISED BY: DEF 09/20/11

- Weights (lbs./kg.), dimensions (inches/mm.), and drawings provided for your guidance.
- We reserve the right to modify specifications without prior notice.
- Uncontrolled distribution.

CONFIDENTIAL: This drawing is the property of East Jordan Iron works, Inc., and embodies confidential information, registered marks, trade secret information, and/or know how that is the property of East Jordan Iron Works, Inc. ©Copyright 2011 East Jordan Iron Works, Inc.