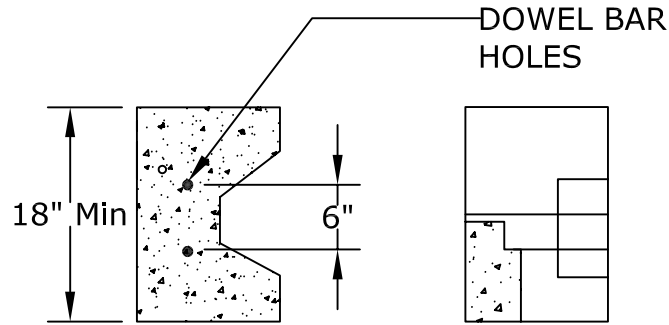
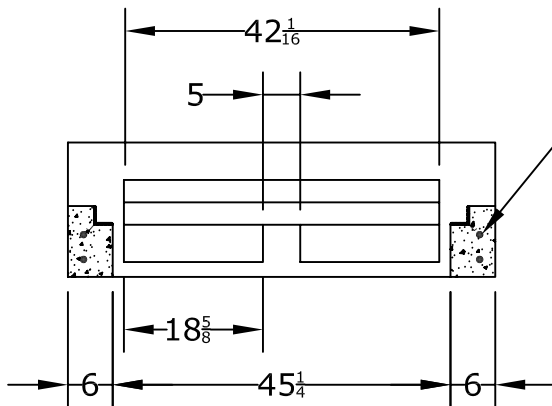


PLAN VIEW

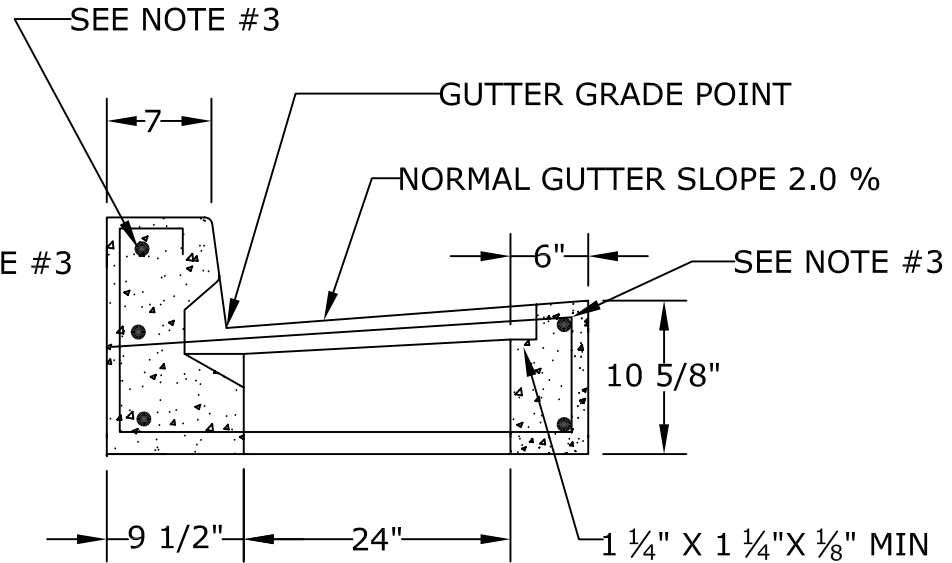


SIDE VIEW

FRONT ELEVATION VIEW



SECTION A-A



SECTION B-B

NOTES

1. CONCRETE- 4000psi, AIR ENTRAINED
2. REINFORCING STEEL- GRADE 60, ASTM A-615
3. ALL REINFORCING BARS ARE #4.

PROJECT:
CONTR:
DATE:

TITLE: **PennDOT
Type C Top**

ALTO MARE PRECAST, INC.
4300 Wissahickon Ave.
Philadelphia, PA 19129
Ph: 215-225-8800 Fax: 215-225-8900