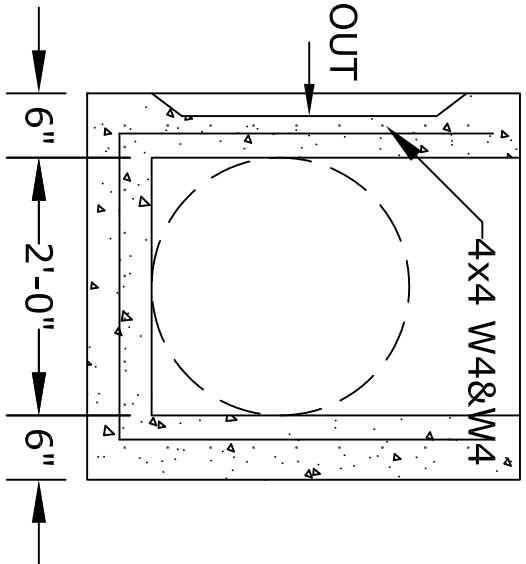
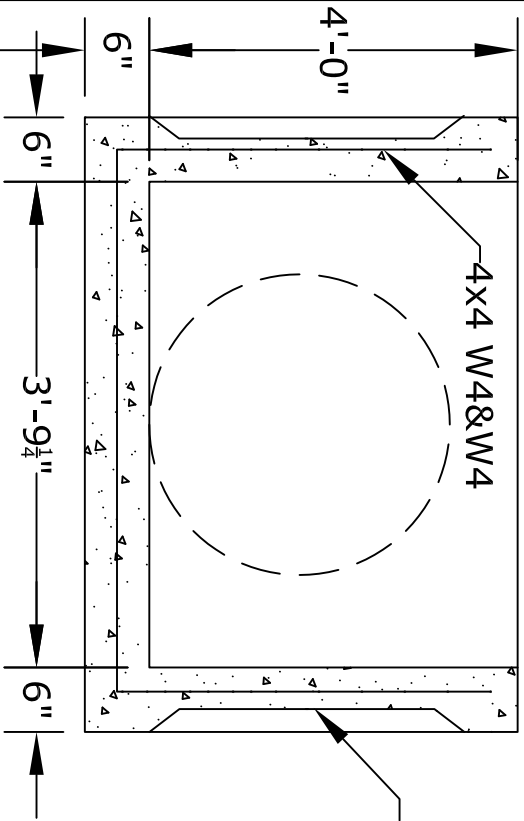


PLAN VIEW



SECTION B



SECTION A

NOTES

1. CONCRETE- 4000psi, AIR ENTRAINED
2. -----INTENTIONALLY BLANK-----
3. WELDED WIRE FABRIC- 4X4 W48xW4
4. MATERIAL AND CONSTRUCTION CONFORM TO PENNDOT PUBLICATION 408, 72 AND RC-34
5. ALL MATERIAL USED MADE IN THE USA

TITLE:
**PennDOT Dimension
 4' Stock Box**

PROJECT:

CONTR:

DATE:

ALTOMARE PRECAST, INC.

4300 Wissahickon Ave.
 Philadelphia, PA 19129

Ph: 215-225-8800 Fax: 215-225-8900